

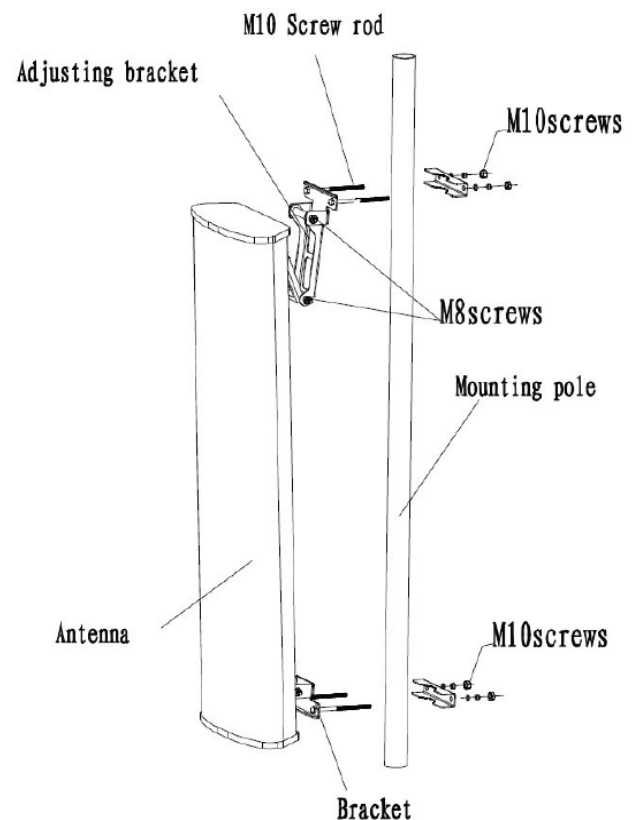
Product Data

Part Number: A-DP-UHF610-651

Description: UHF Dual Polarised Antenna

Specification

Frequency	610-651 MHz
Gain	11 +/- 1dBi
Beamwidth	65 +/- 10 ° Horizontal 35 +/- 10 ° Vertical
Front to Back Ratio	≥ 21dB
VSWR	≤ 1.6
Isolation	≥ 25dB
Polarization	+/- 45 °
Impedance	50 Ohms
Max Power	100 Watts
Lightning Protection	DC Ground
Connector Type	N
Weight	6.8 Kg
Rated Wind Velocity	36.9m/s
Radome	Grey PVC
Reflector Material	Aluminium/Copper
Suitable Pole	40 to 55mm O/D
Dimensions	850x280x130mm
Operating Temp	-40°C to 55°C
Operational Humidity	< 95 %
ROHS	Compliant



Proudly one of Australia's top 100 Professional & Military Electronics, GPS, RF & Telecommunications companies