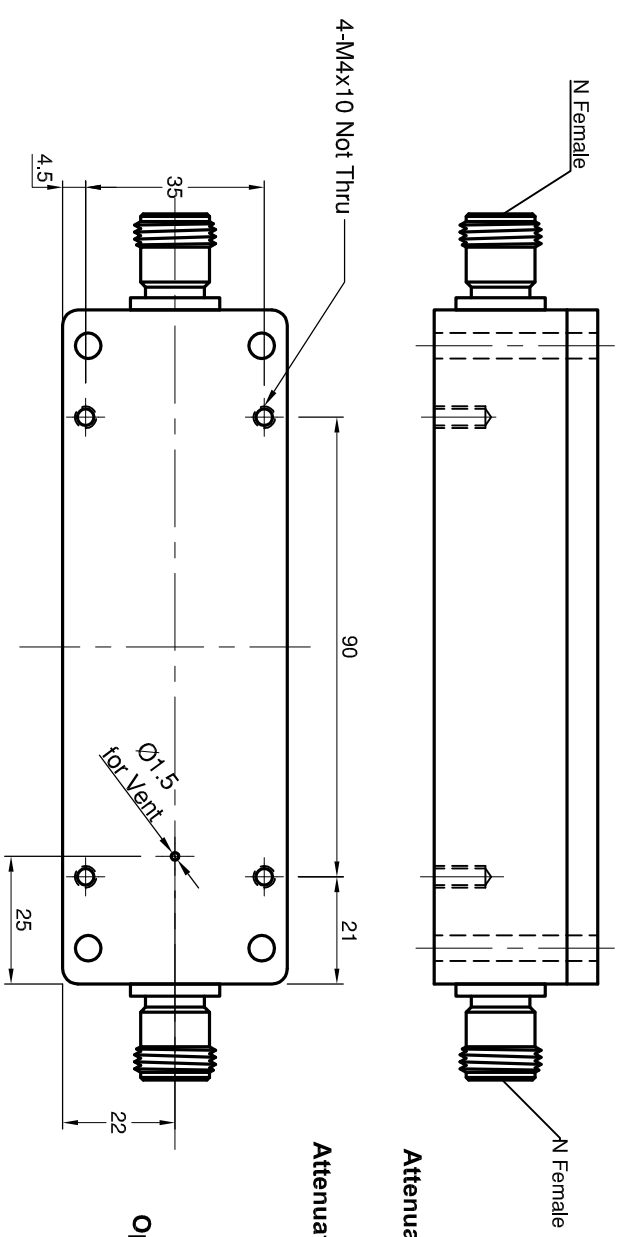
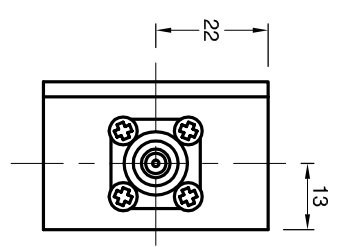
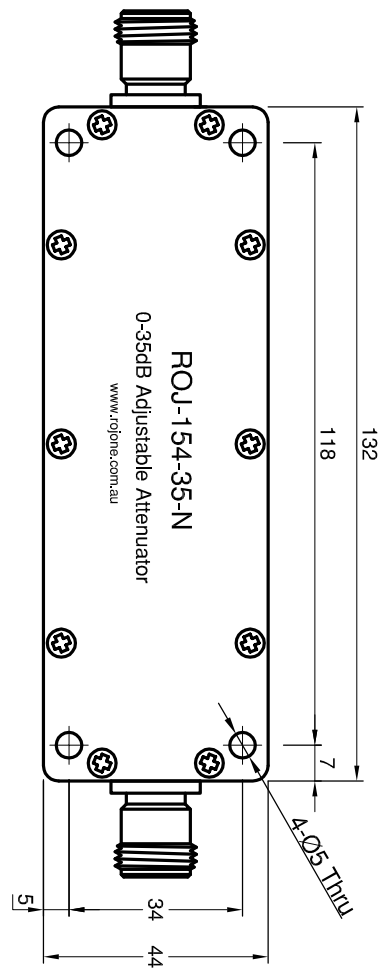
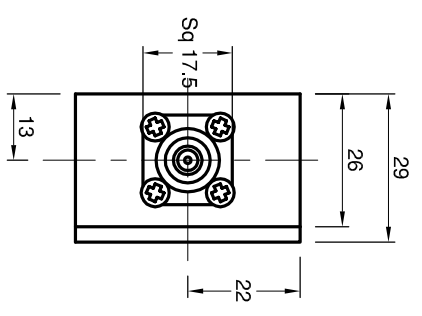


ISSI ZONE	REVISIONS	DESCRIPTION/PER REQUEST/DATE
B		Update Interface suitl 001004001046Issb

3rd ANGLE PROJECTION
 THIS DOCUMENT AND THE DESIGN SHOWN THEREON IS THE PROPERTY OF ROJONE PTY LTD AND MUST NOT BE SOLD, LENT, GIVEN AWAY, COPIED, REPRODUCED OR OTHERWISE DIVULGED TO ANY THIRD PARTY OR USED FOR MANUFACTURE.
 OR ANY OTHER PURPOSE WITHOUT DIRECT WRITTEN PERMISSION OF ROJONE PTY LTD.

DO NOT SCALE



Specifications

- Part Number: ROJ-154-35-N
- Frequency: DC - 3 GHz
- Attenuation: 0 - 35 dB in 1 dB Step
- Attenuation Accuracy: +/- 0.8 dB (DC - 2 GHz)
 +/- 1.5 dB (DC - 3 GHz)
 +/- 2 dB (DC - 3 GHz)
- Attenuation Response: <1.5 dB (DC - 3 GHz)
 <2.5 dB (DC - 3 GHz)
- VSWR: 1.25 : 1 Typ (DC - 3 GHz)
 1.85 : 1 Max (DC - 3 GHz)
- Impedance: 50 Ohms
- Power Rating: 2 Watts Avg, 20 Watts Peak
- Op Temperature: -30 to +80 °C
- Humidity: <100 %
- IP Rating: IP 66
- RF Connector: N-F
- Size: 132x44x29+Conn.

Note: Suits housing box 001004001045Issb; Lid 001004001047Issb or 001004001048Issa

UNLESS OTHERWISE STATED ALL DIMENSIONS ARE IN MILLIMETRES (mm) TOLERANCE: LINEAR +/-0.1 ANGULAR +/-1° REMOVE ALL BURRS AND SHARP EDGES

		ROJONE PTY LTD ACN 002891241 44 AERO RD INGLEBURN 2565 SYDNEY, AUSTRALIA Ph: (612) 9829 1555 Fax: (612) 9605 8812 Web: www.rojone.com.au E-mail: sales@rojone.com.au		TITLE INTERFACE DRAWING FOR ROJ-154-35-N	
MATERIAL ALUMINIUM ALLOY BODY		DRAWN Y. GU		DWG No: 001004001046	
FINISH PAINT		CHECKED B. G.		SCALE NTS SHEET 1 OF 1	
APPROVED		FILENAME 001004001046ISSB.DWG		A4	