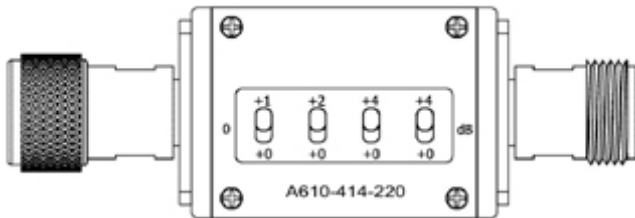


Product Data



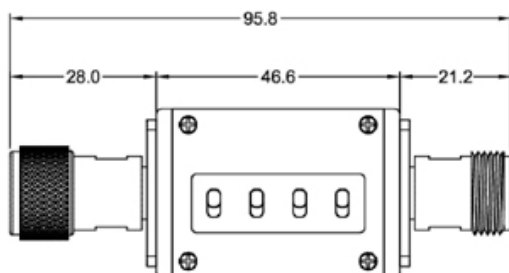
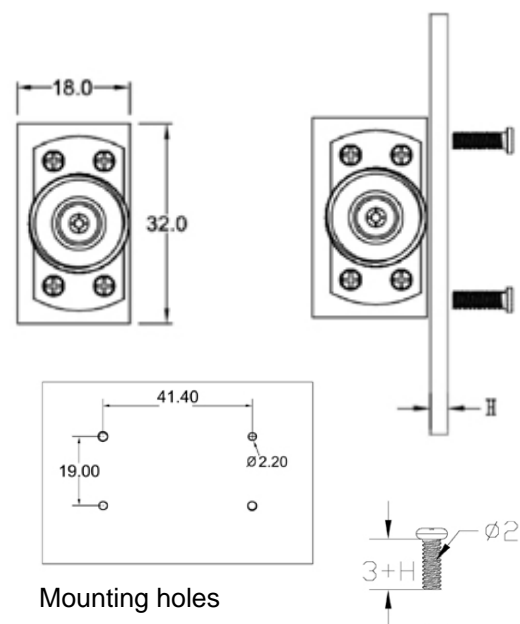
Product Code: ROJ-154-11N

Description: Step Attenuator, DC-6GHz, 0-11dB in 1dB Steps, 2 Watt, N Type M-F connector

Ultra-small, Microstrip technology. Attenuation values are adjustable in a power-on stage, data can be read continuously, no interruption. Using innovative technology, this attenuator does not suffer large reflections when attenuation is adjusted, preventing the preliminary RF circuit from being damaged.

Specifications:

Frequency Range	DC to 6 GHz
Attenuation Range	0 to 11 dB
Attenuation Step Value	1dB Steps
Insertion loss at 0dB	
Typical N Type connector	0.45dB at 1 GHz 0.55dB at 2 GHz 1.10dB at 3 GHz 1.30dB at 4 GHz
Attenuation Accuracy	
Typical N Type Connector	0 to +0.50dB at 1 GHz 0 to +0.85dB at 2 GHz 0 to +1.55dB at 3 GHz 0 to +2.50dB at 4 GHz
Nominal Impedance	50 Ohm
Average Power	2 Watts
Operating Temperature	-40 to +85 Degrees C
Weight	80g max.
Switch Repeatability avg.	>10000 operations (5000 cycles)



Proudly one of Australia's top 100 Professional & Military Electronics, GPS, RF & Telecommunications companies