

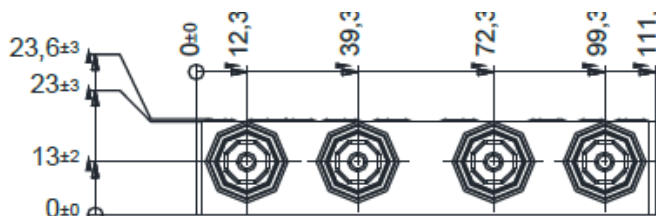
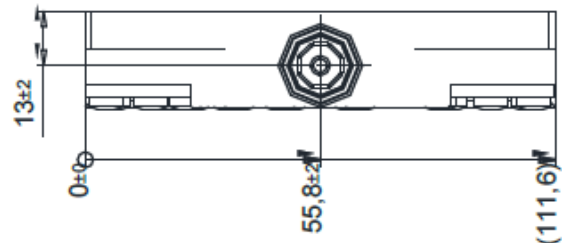
Product Data

Order Code **AMA-2257-4-4310**

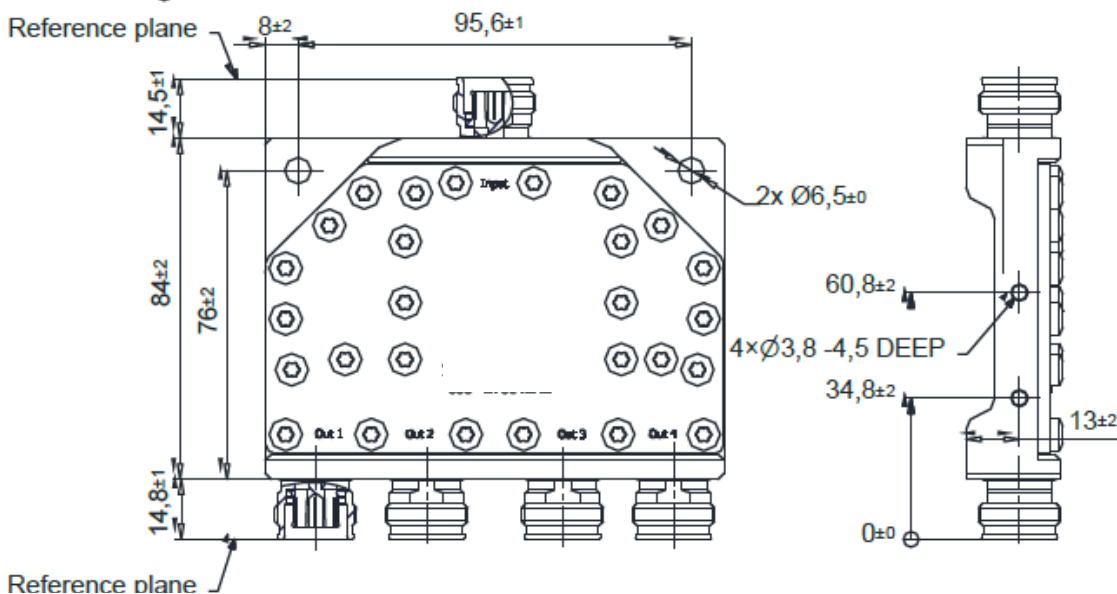
Description **4 Way Splitter**
694-2700 MHz
4.3-10 Connectors

Specification

Frequency 694-2700 MHz
Connectors 4.3-10 Series Female
(50 Ohm)
Insertion Loss 6.1dB ± 0.6dB incl split loss
Split Ratio 1: 0.25 : 0.25 : 0.25 : 0.25
VSWR ≤ 1.3 (Port 1)
Max Input 300 Watts CW
IM 3rd Order ≤ -160dBc @2x20W
Environmental IP62 Indoor rated
Temp Range -25°C to +55°C
Weight 0.53 Kg



Standard:
4.3-10 female (50 ohms)
modifications reserved



Proudly one of Australia's top 100 Professional & Military Electronics, GPS, RF & Telecommunications companies