

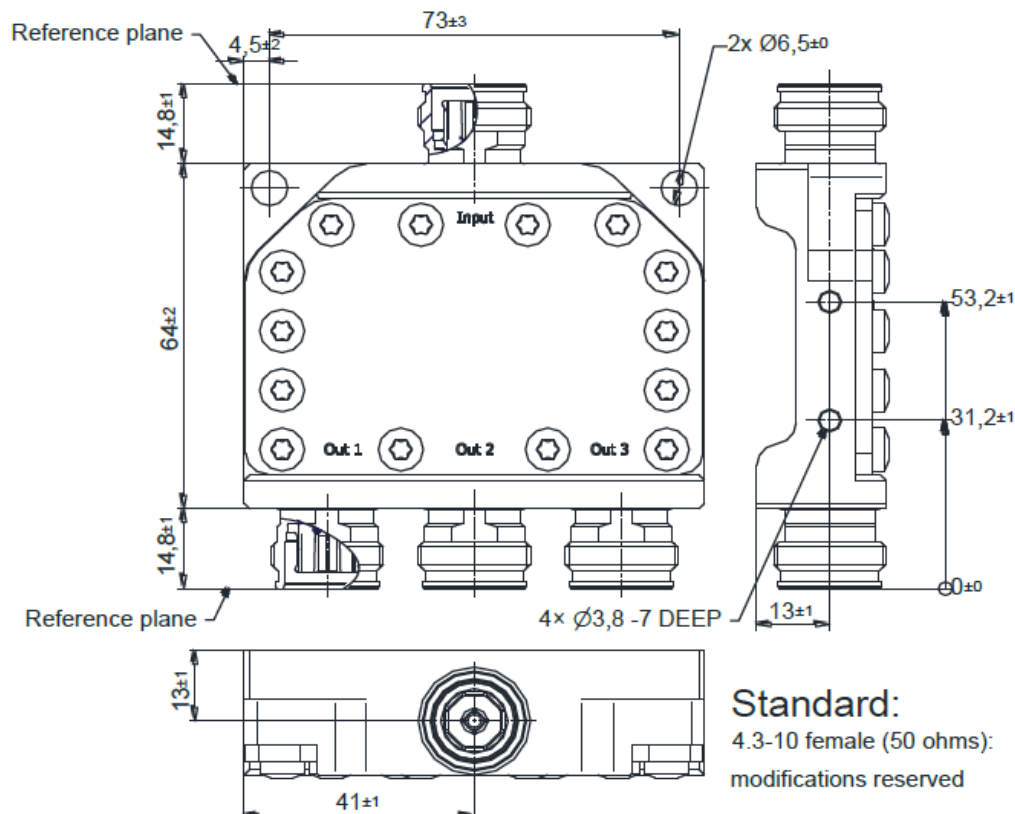
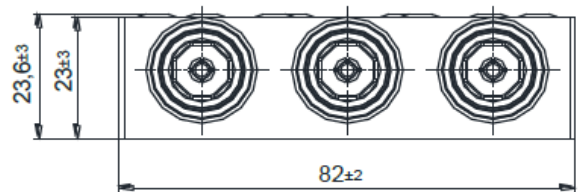
Product Data

Order Code AMA-2257-3-4310

Description 3 Way Splitter
694-2700 MHz
4.3-10 Connectors

Specification

Frequency 694-2700 MHz
Connectors 4.3-10 Series Female (50 Ohm)
Insertion Loss 4.8dB \pm 0.4dB incl split loss
Split Ratio 1: 0.33 : 0.33 : 0.33
VSWR \leq 1.3 (Port 1)
Max Input 300 Watts CW
IM 3rd Order \leq -160dBc @2x20W
Environmental IP62 Indoor rated
Temp Range -25°C to +55°C
Weight 0.33 Kg



Proudly one of Australia's top 100 Professional & Military Electronics, GPS, RF & Telecommunications companies