

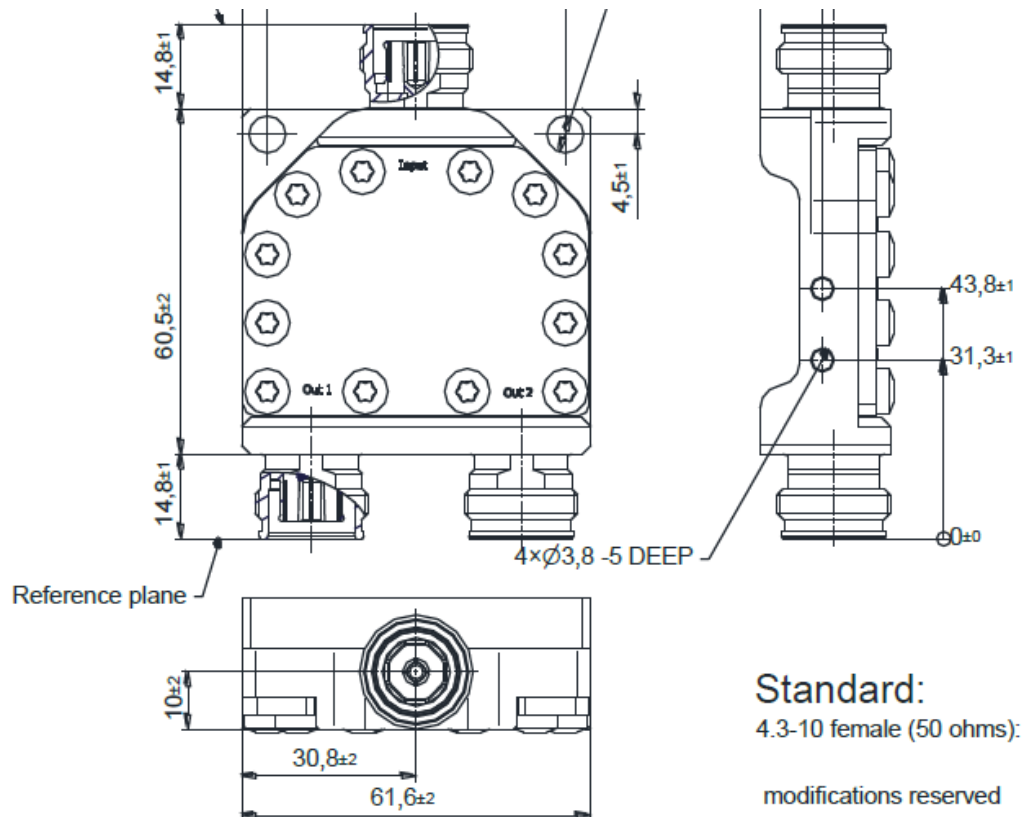
## Product Data

**Order Code** AMA-2257-2-4310

**Description** 2 Way Splitter  
694-2700 MHz  
4.3-10 Connectors

**Specification**

Frequency 694-2700 MHz  
Connectors 4.3-10 Series Female (50 Ohm)  
Insertion Loss 3.1dB ± 0.2dB incl split loss  
Split Ratio 1: 0.5 : 0.5  
VSWR ≤ 1.3 (Port 1)  
Max Input 300 Watts CW  
IM 3<sup>rd</sup> Order ≤ -160dBc @2x20W  
Environmental IP62 Indoor rated  
Temp Range -25°C to +55°C  
Weight 0.25 Kg



Proudly one of Australia's top 100 Professional & Military Electronics, GPS, RF & Telecommunications companies