

## Product Data

---

**Part Number**            **ROJ-E320**  
**Description**            **VHF Band Pass Filter for Marine Communications**

**ROJ-E320** is a compact, high performance band-pass filter, specially designed for Navy radio systems; the requirement is to reject all marine radio channels, especially the CH16 which interferes directly with Navy Radio systems working on 160.8MHz.

Navy radios installed with ROJ-E320 should be able to work with marine radios side-by-side reliably and will provide a typical 50dB rejection to all VHF marine radio channels.

Tests have confirmed that this filter's performance will not be affected by the temperature (up to 150 C) and very strong vibration.

### Specifications

Pass-Band	160.5-160.90 MHz
VSWR	$\leq 1.5 : 1$
Insertion Loss	<2.5dB
Input RF Power	10w Max
Rejection	>40dB @ 156-157MHz (55dB typ) 5dB typ @ 162.1MHz
Connector	N Female
Size	136 x 36 x 53mm
Weight	350g
Operating Temp	-10 to 60C

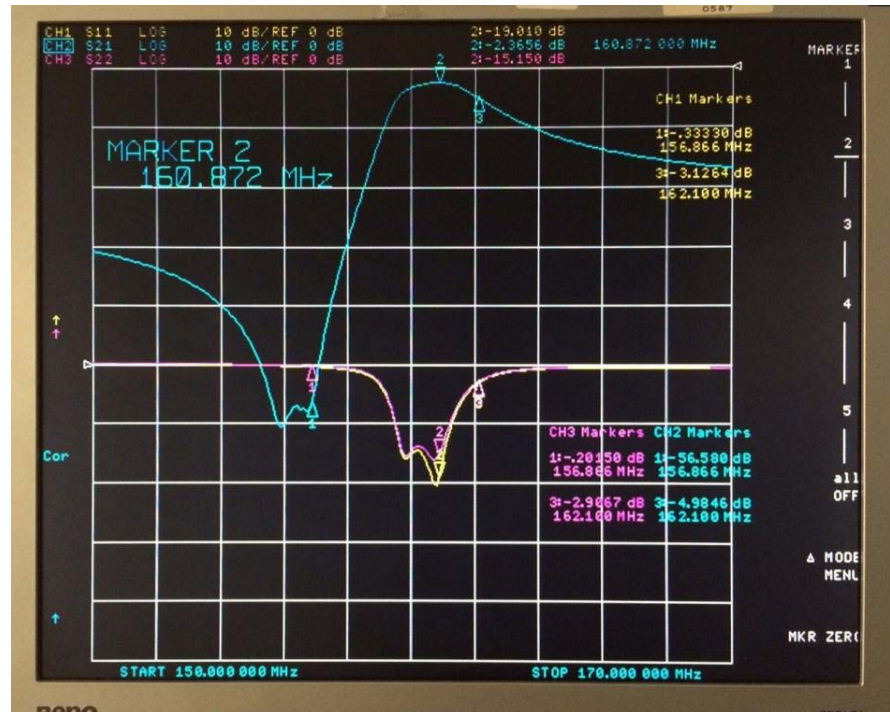
Image



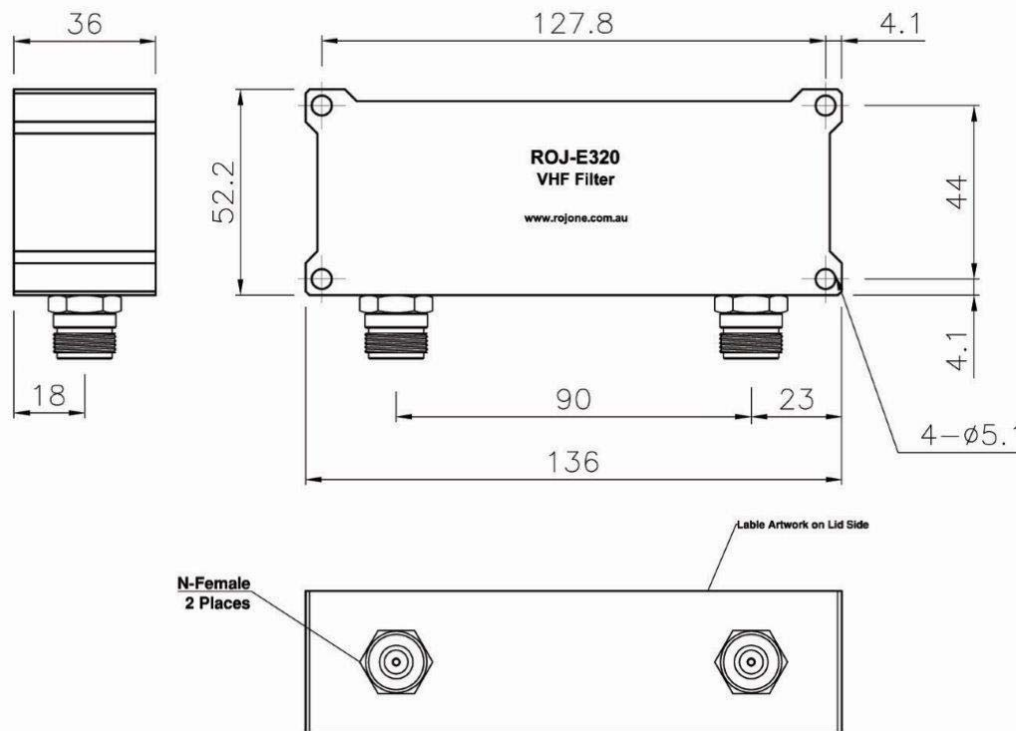
Proudly one of Australia's top 100 Professional & Military Electronics, GPS, RF & Telecommunications companies

## Product Data

### Typical test result 150-170 MHz



### Mechanical Outline



Proudly one of Australia's top 100 Professional & Military Electronics, GPS, RF & Telecommunications companies