

## Product Data

Part Number RO-QN400MRA  
Description QN Series Right Angle Male Crimp Plugs for LMR400 Series Cables

### Specifications

Frequency DC to 6 GHz optimized  
DC to 11 GHz working range

Impedance 50 Ohms

VSWR 1.06 DC to 3GHz, 1.12 Max

Insertions Loss 0.25dB Max

Intermodulation >155 dBc (2x43dBm)

Mating Life Min 100 cycles

Operating Temp -55 to +125 Degrees C

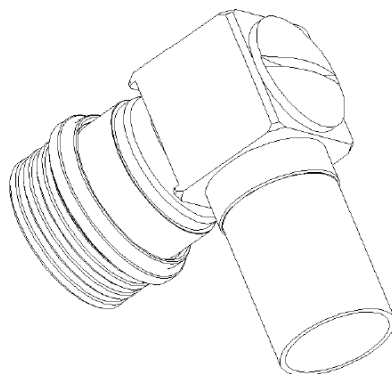
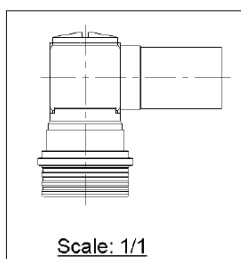
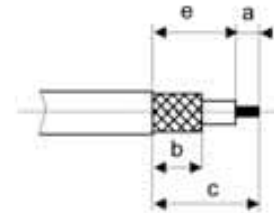
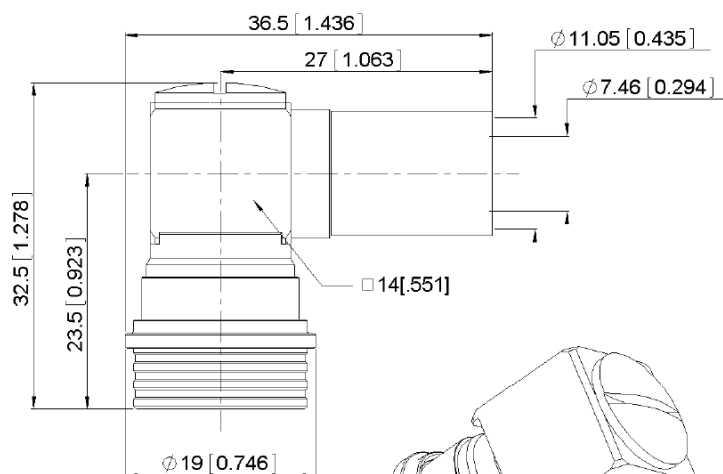
Body Brass, Silver on BBR plating

Weight 28 Grams

Cables LMR400, LMR400FR, LMR400DB

Tooling M22520/5-01Crimp Tool + Die M22520/5-25

Strip Lengths a)2.5mm, b)10.0mm c)21.9mm e)19.4mm



Proudly one of Australia's top 100 Professional & Military Electronics, GPS, RF & Telecommunications companies