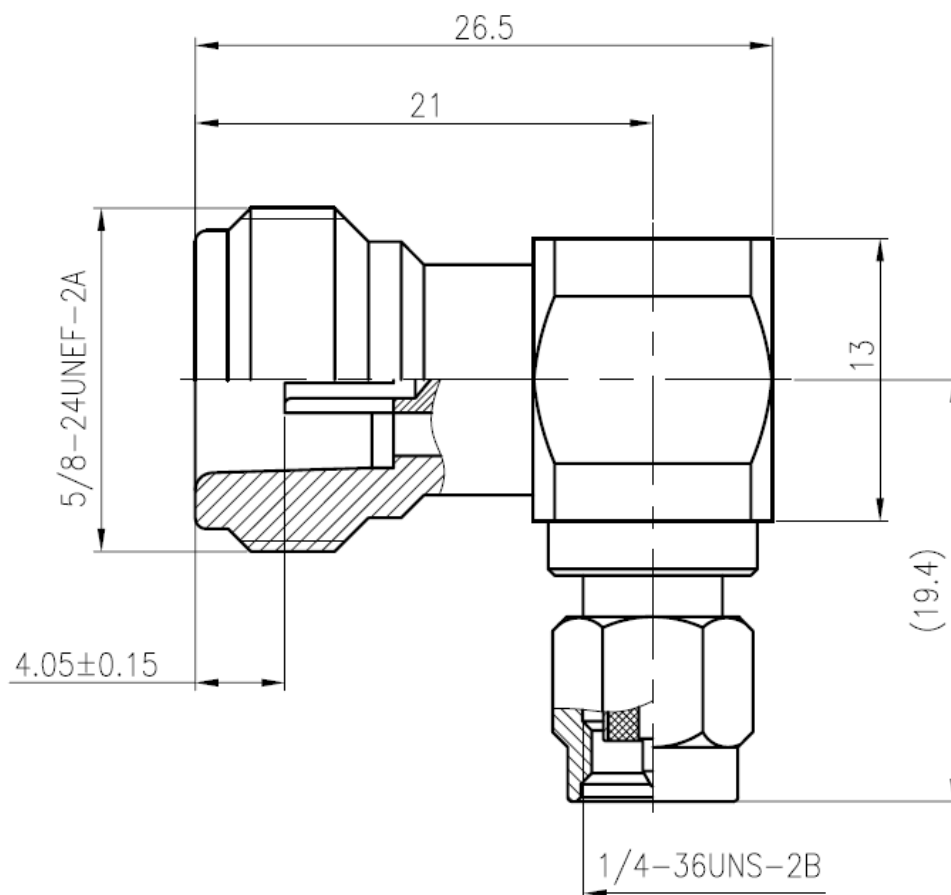


## Product Data

---

Part Number RO-NF-SMAMRA  
Description N Female to SMA Male Right Angle

Specifications  
 Frequency DC to 1 GHz  
 Impedance 50 Ohms  
 VSWR < 1.20:1  
 Mating Life 100 cycles  
 Operating Temp -55 to +125 Degrees C  
 Body Brass, Silver CuSnZn3  
 Weight 35 Grams



A212-231-301

Proudly one of Australia's top 100 Professional & Military Electronics, GPS, RF & Telecommunications companies