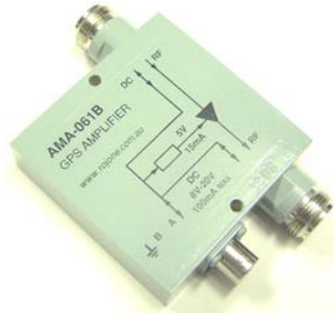


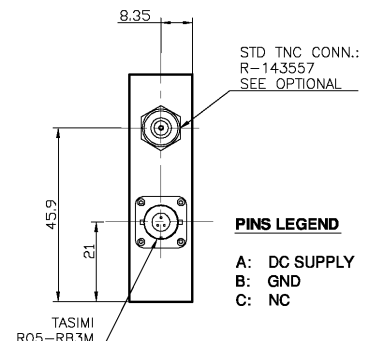
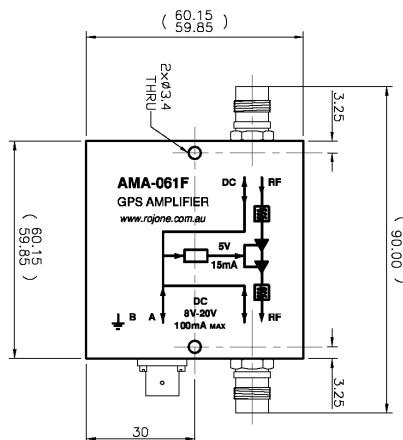
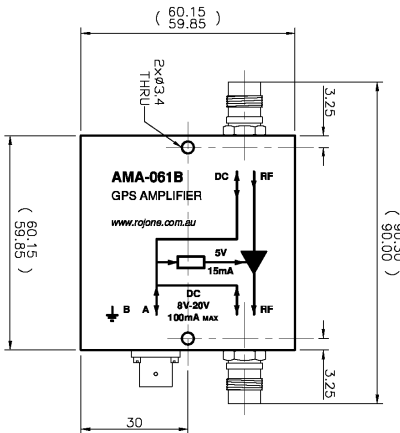
GPS Amplifiers



Rojone makes available two GPS amplifiers in our AMA-061 Series. AMA-061B is our broadband GPS Amplifier and our AMA-061F is a high rejection GPS filtered. Both these amplifiers are designed to boost GPS signals for long range transmission or for a GPS Repeater Kit. Our filtered amplifier is ideal for boosting GPS signal in noisy environments. These amplifiers can also be used as a DC feeder for a GPS antenna, additional amplifier or as a DC splitter. The DC through can be regulated or by passed to the antenna for 5V systems.

Specifications

Part Number	AMA-061B	AMA-061F
Frequency Range	1220-1700 MHz (suits L1&L2)	1575 MHz
Bandwidth	480 MHz	10 MHz (+/-5 MHz)
LNA Gain	38dB +/- 2dB	36 +/- 1dB
LNA Noise Figure	<1.3dB @ 20°C	< 1.3dB @ 20°
LNA OP 1dB Comp Pt	1dBm	1dBm
		Filter Rejection >70dB @ +/-50 MHz
Power Supply	DC Input 8 to 20 Volts @ 15mA or 5V @ 15mA Optional	Same
Impedance	50 Ohms	Same
DC thru Resistance	< 4 Ohms	Same
DC thru Power	8-20 Volts @ 100mA or 5V @ 50mA Optional	Same
I/O VSWR	< 2:1	Same
Connector Type	TNC Female connectors for Antenna 3 Pin Bayonet coupling power connection	Same
Temp Range	-40° to + 85°C @ 100% Humidity	Same



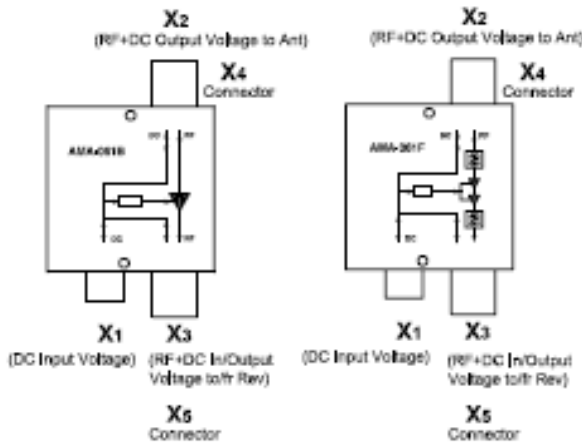
GPS Amplifiers

AMA-061 Series Options

061 Series Repeater

AMA - 061 X - X₁ - X₂ X₄ - X₃ X₅

B	1-2GHz GPS 32dB AMP
F	L1 GPS 30dB FILTERED AMP
None	DC Feeder (See Below)



	Connector Type
N	N-F (Standard)
T	TNC Female (Std)
S	SMA Female

Vol	RF+DC In/Output to/r Rev
0	DC blocked
3.3	In/Output Voltage
5	Output Voltage
12	Output Voltage
..

	Connector Type
N	N-F (Standard)
T	TNC Female (Std)
S	SMA Female

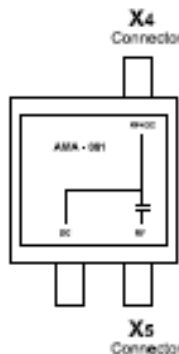
Vol	RF+DC Output to Ant
0	DC blocked
3.3	Output Voltage
5	Output Voltage
12	Output Voltage
..

Vol	DC Input
0	DC blocked
3.3	Input Voltage
5	Input Voltage
12	Input Voltage
R	Regulated 3.3+12 Voltage

****Note:** Standard product is supplied with 2 TNC female connectors or 2 N-F connectors.

061 Series DC Feeder

AMA - 061 - X₆ - X₄ - X₅



P	DC Feeder 350000Hz
C	TS Gen 35-430MHz DC Feeder
	2400 DC Feeder 1x20Hz

	Connector Type
N	N-F (Standard)
T	TNC Female (Std)
S	SMA Female

	Connector Type
N	N-F (Standard)
T	TNC Female (Std)
S	SMA Female