

REVISIONS	
A	ISS ZONE
B	DESCRIPTION/REPER REQUEST/DATE
	Issa obsolete n superseded by Issa Add 4.3-10 connector options

THIS DOCUMENT AND THE DESIGN SHOWN THEREON IS THE PROPERTY OF ROJONE PVTY LTD AND MUST NOT BE SOLD, LENT, GIVEN AWAY, COPIED, REPRODUCED OR OTHERWISE DIVULGED TO ANY THIRD PARTY OR USED FOR MANUFACTURE. OR ANY OTHER PURPOSE WITHOUT DIRECT WRITTEN PERMISSION OF ROJONE PVTY LTD.

REV	DATE	DESCRIPTION

Rojone AMA-5257 Series

Low PIM Cable Load

Specification

FREQ RANGE:	700-2700MHZ
POWER MAX.:	100W CW@ 50% duty circle
RETURN LOSS:	20dB Typ
IM:	< -150dBc@43dBmX2
HUMIDITY:	< 95% Non Condensing
OP TEMP:	-40 to +40 °C
CONNECTOR:	See Order Code Selection
SIZE:	136X132X61MM + CONN.
WEIGHT:	0.8 Kg Approx.

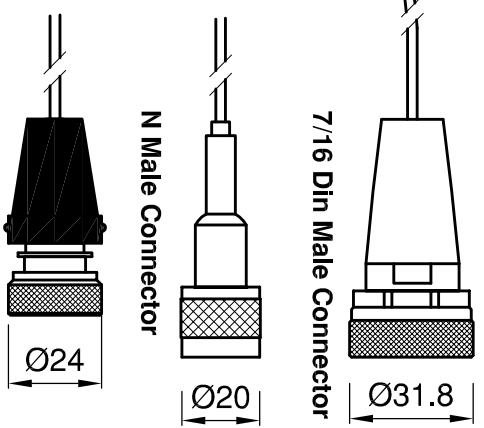
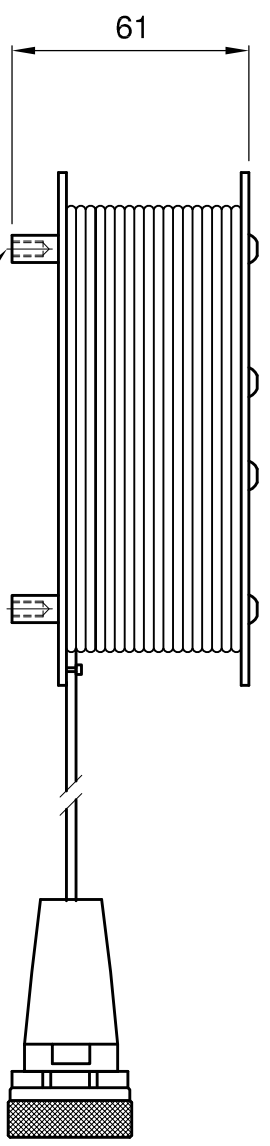
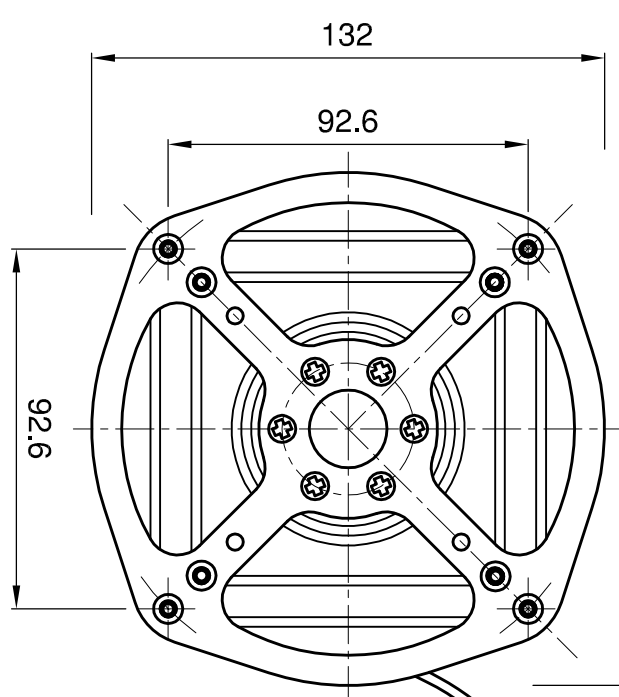
Order Code

AMA-5257CL- 50W - 30A

POWER	CONNECTOR TYPE
25W WATTS	13A N Male
30W WATTS	13C N Female
50W WATTS	30A 7/16 DIN male
100W WATTS	30C 7/16 DIN Female
	45A 4.3-10 Male
	45C 4.3-10 Female

NOTE:

- 1/ Input RF Power 100 Watts Continuous for Max 20 Minutes
 - 2/ Fan version for high duty cycle available
- Please consult factory for detail



APPROX. 300

ROJONE
 44 AERO RD INGLEBURN 2665
 SDORET, AUSTRALIA
 Ph: (012) 9829 1565 Fax: (612) 9605 9812
 Web: www.rojone.com.au E-mail: sales@rojone.com.au

ROJONE PVTY LTD ACN 002891241

LOW PIM CABLE LOAD
 AMA-5257CL SERIES

DWG No: 001004001036

MATERIAL	FINISH	DRAWN	CHECKED	APPROVED	SCALE	SHEET	FILENAME
N/A	N/A	Y. GU	APPROVED		1:1	1 OF 1	001004001036ISSB.DWG

REV	DATE	DESCRIPTION

UNLESS OTHERWISE STATED ALL DIMENSIONS ARE IN MILLIMETRES (mm) TOLERANCE: LINEAR ±0.1 ANGULAR ±1° REMOVE ALL BURRS AND SHARP EDGES

REV	DATE	CHECKED
B	20141107	L. G.
A	20110913	L. G.

A2