

Miniature GPS 2 & 4 Way Splitter / Dividers

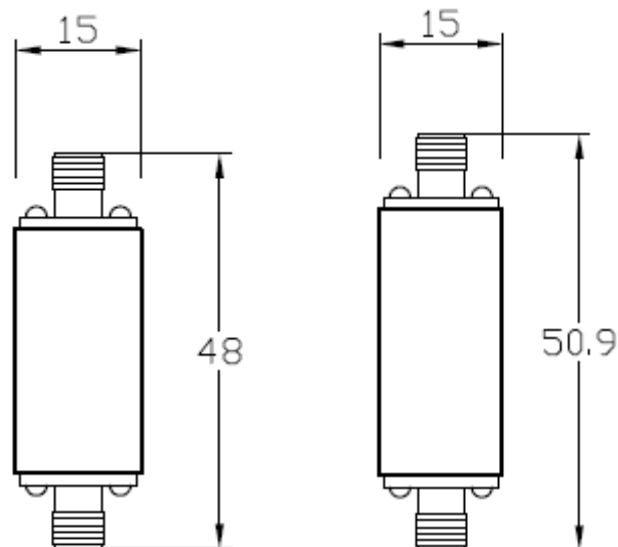
FEATURES

- L Band 1100-1700 MHz
- Port 2 DC Blocked

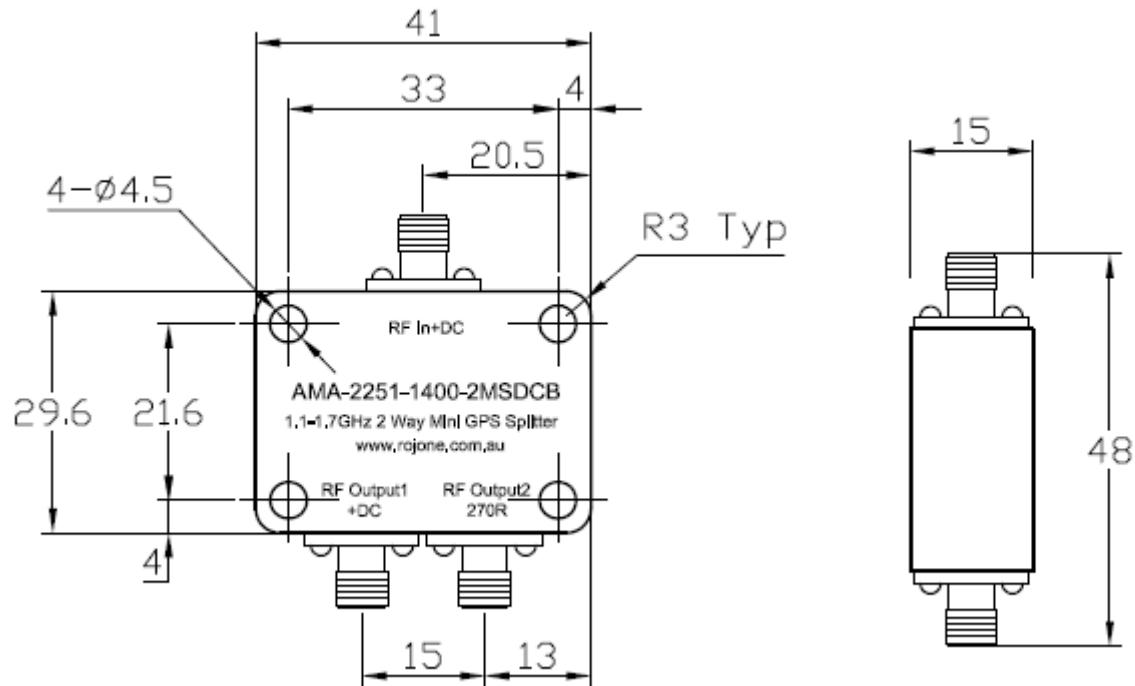
Rojone's AMA-2251-1400 Series of miniature dividers are specifically designed for space critical GPS applications. One output is AC coupled to the input while the other is DC coupled to allow for two receivers to a single active antenna. The receiver connection to the power divider's DC path will be able to pass DC to the antenna. The DC current capability is > 500mA.

Specifications

Part Number Description	AMA-2251-1400-2MSDCB 2 Way Mini GPS Splitter	AMA-2251-1400-4MS 4 Way Mini GPS Splitter
Frequency Range	1100 to 1700 MHz	1100 to 1700 MHz
Number of Ports	2 Ports	4 Ports
Isolation	20dB Typical	20dB Typical
Through Loss	3.4 dB Typical	6.5dB Typical
Return Loss	-14dB Typical	-14dB Typical
Amplitude Balance	< 0.2dB	< 0.2dB
Phase Balance	< 2 Degrees	5 Degrees Typical
Average Power	1 Watts CW	1 Watts CW
Impedance	50 Ohms	50 Ohms
Connector Standard	SMA Female	SMA Female
Package Size	41 x 30 x 15mm ex conn	73 x 33 x 15 mm ex conn
Weight	100 grams	100 grams



Mechanical Drawing AMA-2251-1400-2MSDCB



**Mechanical Drawing
AMA-2251-1400-4MS**

