


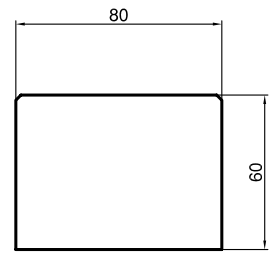
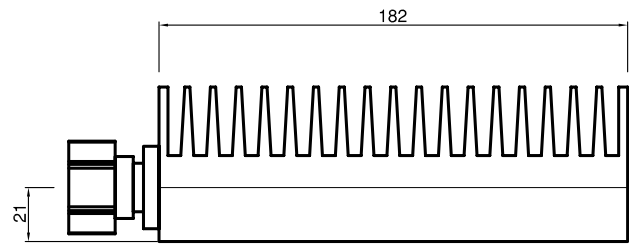
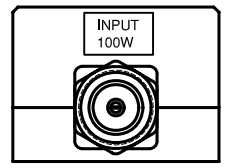
REVISIONS		
ISS	ZONE	DESCRIPTION/PER REQUEST/DATE

3rd ANGLE PROJECTION  THIS DOCUMENT AND THE DESIGN SHOWN THEREON IS THE PROPERTY OF ROJONE PTY LTD AND MUST NOT BE SOLD, LENT, GIVEN AWAY, COPIED, REPRODUCED OR OTHERWISE DIVULGED TO ANY THIRD PARTY OR USED FOR MANUFACTURE, OR ANY OTHER PURPOSE WITHOUT DIRECT WRITTEN PERMISSION OF ROJONE PTY LTD.

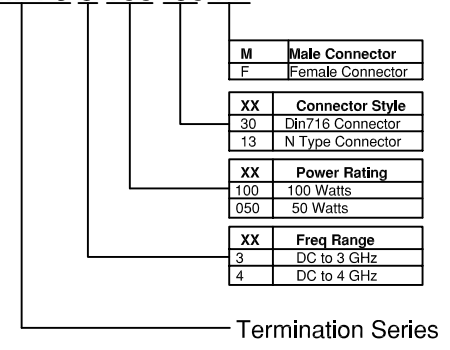
DO NOT SCALE

REVISION	DATE	CHECKED
A	2010-07-27	H. JIA

AMA-5 3 100 -30 M



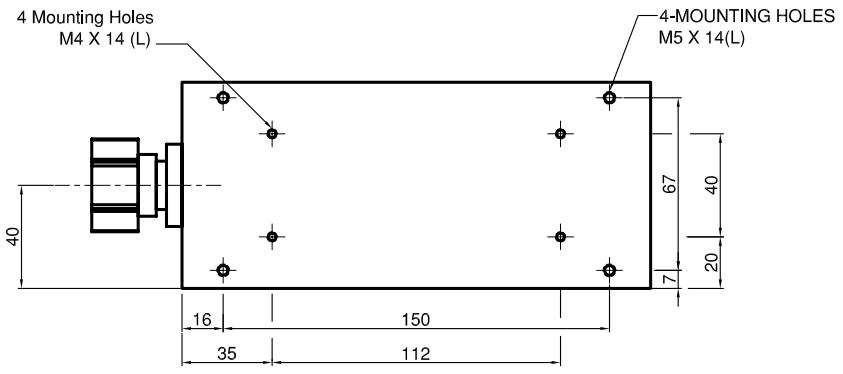
M	Male Connector
F	Female Connector
XX	Connector Style
30	Din716 Connector
13	N Type Connector
XX	Power Rating
100	100 Watts
050	50 Watts
XX	Freq Range
3	DC to 3 GHz
4	DC to 4 GHz




Termination Series

SPECIFICATIONS

- FREQ: DC TO 4 GHz
- VSWR: < 1.15 (DC TO 1.0 GHz)
- < 1.35 (1.0 TO 4.0 GHz)
- RF INPUT POWER: 50/100 W CW @ 20 °C
- PEAK PWR: 5 KW MAX (10 uS)
- OP TEMP: -20 to +50 °C
- WEIGHT: 1.8 Kg
- CONN: DIN 716 or N Conn.



UNLESS OTHERWISE STATED ALL DIMENSIONS ARE IN MILLIMETRES (mm) TOLERANCE: LINEAR ±0.1 ANGULAR ±1° REMOVE ALL BURRS AND SHARP EDGES

 ROJONE PTY LTD ACN 002691241 44 AERO RD INGLEBURN 2565 SYDNEY, AUSTRALIA Ph: (612) 9829 1555 Fax: (612) 9805 8812 Web: www.rojone.com.au E-mail: sales@rojone.com.au	TITLE	
	100W TERMINATION SERIES	
MATERIAL AS PART	DRAWN Y. GU	DRWG No: 999ASYATT004
FINISH BLACK	CHECKED H. JIA	SCALE 1:1 SHEET 1 OF 1
APPROVED		FILENAME 999ASYATT004\SSA.DWG

A1