
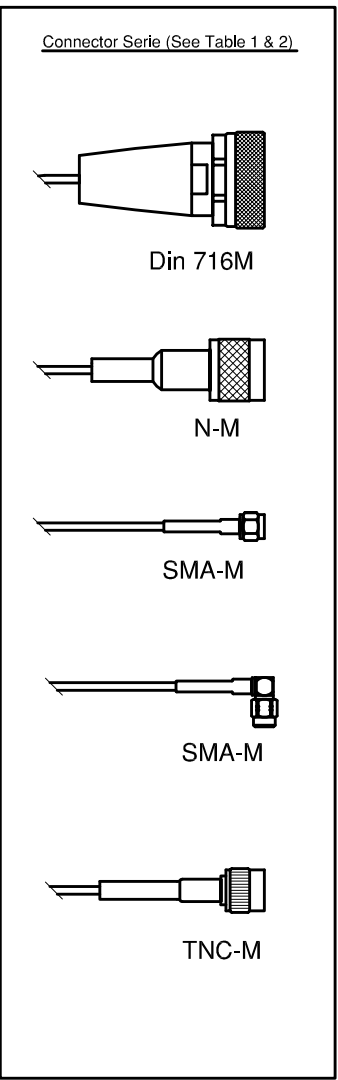
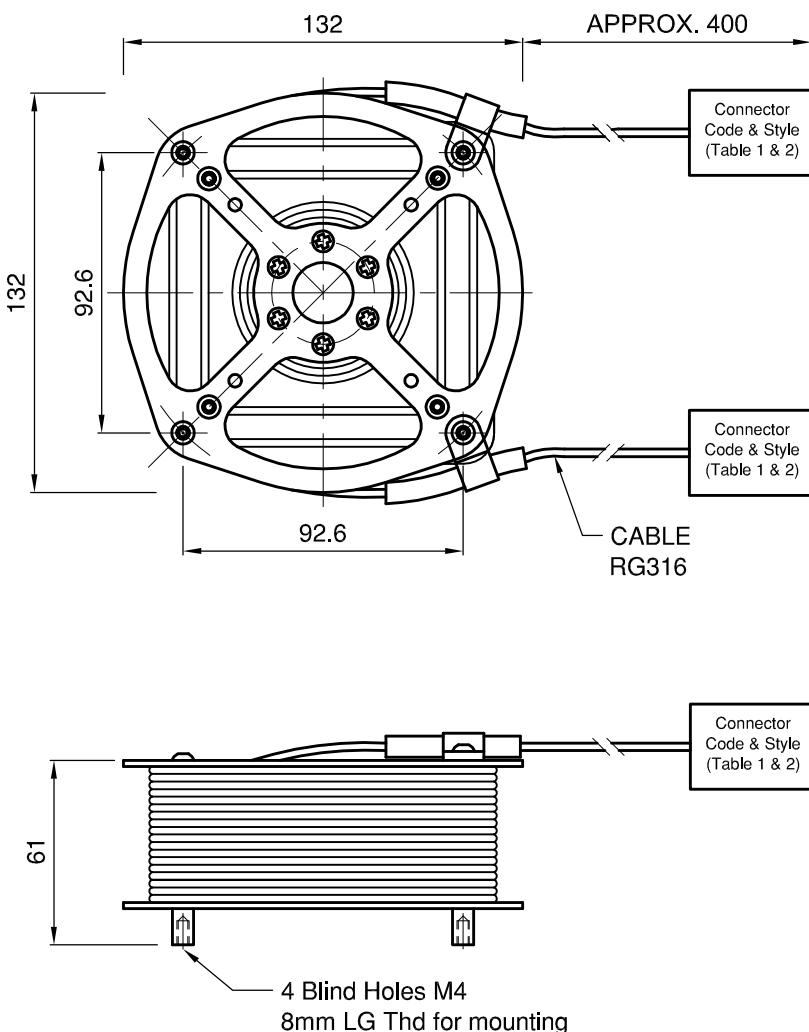


REVISIONS			
ISS	ZONE	DESCRIPTION/PER REQUEST	DATE
A		Release by Bernie 20140312 - Obsolete	
B		Change from specify to generic drawing Released by Livia on 20140313	

3rd ANGLE PROJECTION  THIS DOCUMENT AND THE DESIGN SHOWN THEREON IS THE PROPERTY OF ROJONE PTY LTD AND MUST NOT BE SOLD, LENT, GIVEN AWAY, COPIED, REPRODUCED OR OTHERWISE DIVULGED TO ANY THIRD PARTY OR USED FOR MANUFACTURE, OR ANY OTHER PURPOSE WITHOUT DIRECT WRITTEN PERMISSION OF ROJONE PTY LTD. DO NOT SCALE

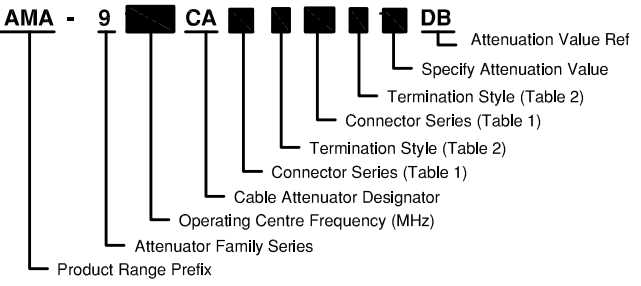


**GENERAL SPECIFICATION for Cable Attenuator**

POWER MAX.:	100W @ 25 Deg C Ambient
INSERTION LOSS:	xx dB @ xx MHz (See note and p/n)
IM (PIM):	< -150dBc@43dBmX2
IMPEDANCE:	50 Ohm
HUMIDITY:	< 95% Non Condensing
OP TEMP:	25 Deg C Ambient
CONNECTOR:	SEE TABLE 1 & 2
SIZE:	132X132X61MM + CONN.
WEIGHT:	0.7 Kg Approx.

**NOTE:** This is not a broadband attenuator. Product is tuned & tested at the specified frequency & attenuation value.


**Rojone Cable Attenuator Part Number Legend**



Code - Connector Series
13 - N Mil Version
14 - N Commercial
15 - N Low IM Version
16 - NIM-QLA
17 - SMA
18 - SMA Commercial PIM LO IM Version
24 - TNC
25 - TNC Commercial
28 - UHF Standard
30 - DIN 7/16 PIM Low IM Version
99 - unterminated - No Connection

Code - Termination Style
A - Crimp Straight Male Plug
B - Crimp Right Angle Male Plug
C - Crimp Straight Female Jack

REVISION	DATE	CHECKED
A	2014-03-12	Obsolote
B	2014-03-13	L. B. Released

 ROJONE PTY LTD ACN 002691241 44 AERO RD INGLEBURN 2565 SYDNEY, AUSTRALIA Ph: (612) 9829 1555 Fax: (612) 9605 8812 Web: www.rojone.com.au E-mail: sales@rojone.com.au		TITLE CABLE ATTENUATOR INTERFACE AMA-9__CA Series	
MATERIAL SEE SPEC		DRAWN Y. GU	
FINISH SEE SPEC		CHECKED L. B.	SCALE NTS
UNLESS OTHERWISE STATED ALL DIMENSIONS ARE IN MILLIMETRES (mm) TOLERANCE: LINEAR +0.1 ANGULAR +1° REMOVE ALL BURRS AND SHARP EDGES		APPROVED L. B.	SHEET 1 OF 1
		DRWG No: 999ASYATT011	FILENAME 999ASYATT011 ISSB.DWG

A4