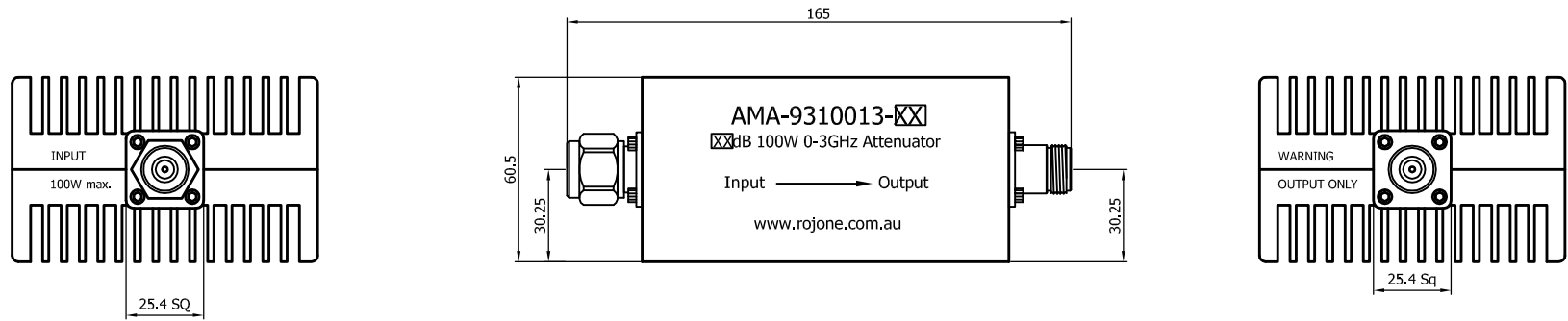


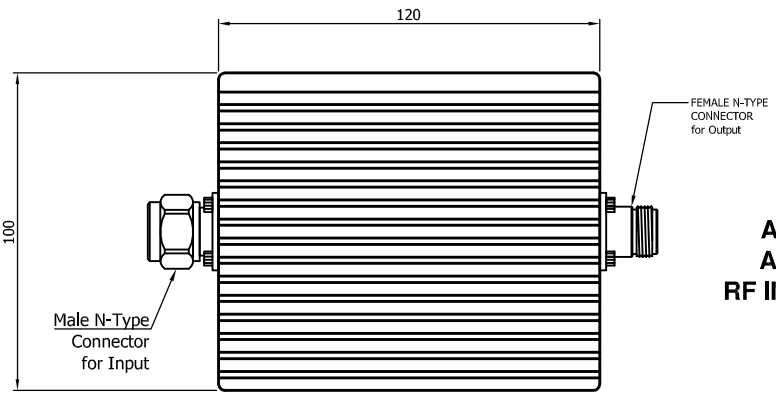
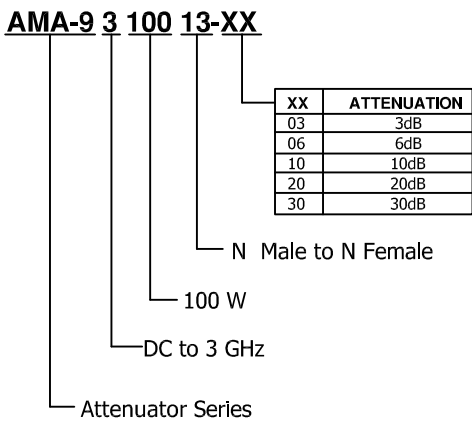
REVISIONS			
ISS	ZONE	DESCRIPTION\PER REQUEST\DATE	
B		Modified p/n and spec Released 20140318 livia	

3rd ANGLE PROJECTION  
 THIS DOCUMENT AND THE DESIGN SHOWN THEREON IS THE PROPERTY OF ROJONE PTY LTD AND MUST NOT BE SOLD, LENT, GIVEN AWAY, COPIED, REPRODUCED OR OTHERWISE DIVULGED TO ANY THIRD PARTY OR USED FOR MANUFACTURE, OR ANY OTHER PURPOSE WITHOUT DIRECT WRITTEN PERMISSION OF ROJONE PTY LTD. DO NOT SCALE

REVISION	DATE	CHECKED
A	20130621	H. JIA
B	2014-03-14	H. JIA



**Rojone P/N Ordering Detail**



**SPECIFICATIONS  
AMA-9310013-XX**

- FREQ:** DC TO 3GHz
- VSWR:** < 1.15 ( DC TO 1.0 GHz )  
< 1.35 ( 1.0 TO 3.0 GHz )
- ATTENUATION:** 3,6,10,20,30 dB (See Rojone P/N)
- ATTEN ACCUR:** ±0.3dB OR 3%W.I.G. Typ
- RF INPUT POWER:** 100 W CW @ 20 °C
- PEAK PWR:** 10 KW MAX (10 us)
- OP TEMP:** -20 to +50 °C
- WEIGHT:** 1.7 Kg APPROX.
- CONN:** N MALE for INPUT  
N FEMALE for OUTPUT

UNLESS OTHERWISE STATED ALL DIMENSIONS ARE IN MILLIMETRES (mm) TOLERANCE: LINEAR +0.1 ANGULAR +1° REMOVE ALL BURRS AND SHARP EDGES

<p>Ph: (612) 9829 1555 Fax: (612) 9605 8812                  Web: www.rojone.com.au E-mail: sales@rojone.com.au</p>	ROJONE PTY LTD ACN 002691241 44 AERO RD INGLEBURN 2565 SYDNEY, AUSTRALIA		TITLE INTERFACE FOR AMA-9310013-XX XXdB 100W 0-3GHz N ATTENUATOR	
	MATERIAL DRAWN Y. GU CHECKED H. JIA APPROVED L. B.		DRWG No: 003001001200	
FINISH		SCALE NTS	SHEET 1 OF 1	A4
		FILENAME 003001001200ISSB.DWG		