

REVISIONS

ISS	ZONE	DESCRIPTION/PER REQUEST DATE
2		Updated spec-obsolete
3		Updated spec-obsolete
4		Erase one extra connector-obsolete
5		Modified spec, release livia 20140320

3rd ANGLE PROJECTION

THIS DOCUMENT AND THE DESIGN SHOWN THEREON IS THE PROPERTY OF ROJONE PTY LTD AND MUST NOT BE SOLD, LENT, GIVEN AWAY, COPIED, REPRODUCED OR OTHERWISE DIVULGED TO ANY THIRD PARTY OR USED FOR MANUFACTURE, OR ANY OTHER PURPOSE WITHOUT DIRECT WRITTEN PERMISSION OF ROJONE PTY LTD.

DO NOT SCALE

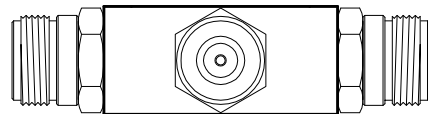
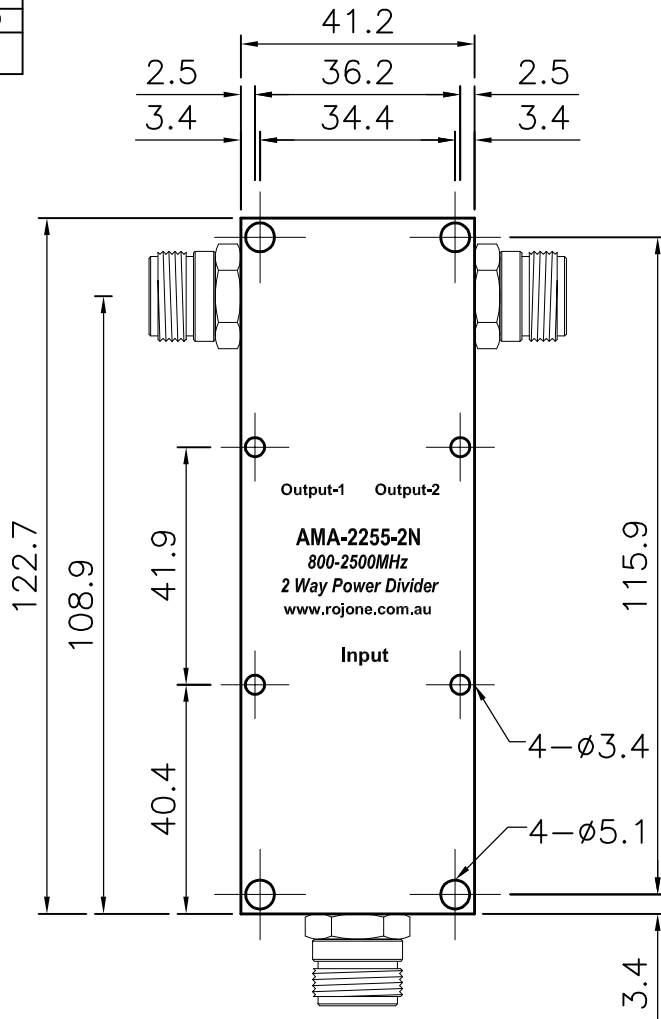
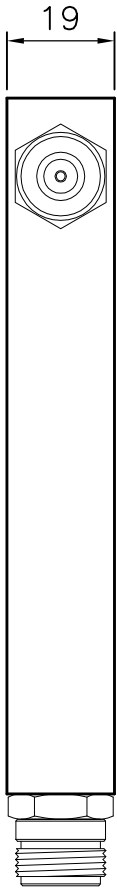
SPECIFICATION for AMA-2255-2N

- FREQUENCY BAND (MHz): 800-2500 MHz
- NUMBER OF WAYS: 2 Way
- ISOLATION (dB): > 20dB
- INSERTION LOSS (dB): 3.3 dB Type
- AMPLITUDE BALANCE (+/-dB): < +/-0.2 dB
- PHASE BALANCE (DEG): < +/- 3 Deg
- PEAK POWER (Watts): 1000 (Watts):
- PULSE WIDTH (uS): 10 (uS):
- AVERAGE POWER (Watts): 100 Watts
- IMPEDANCE (Ohms): 50 Ohms
- VSWR: 1.22:1 Max
- MAXIMUM DIMENSIONS: 123 x 42 x 19 + Connector
- RF CONNECTOR TYPE: N - Female
- TEMPERATURE RANGE (Deg C): -40 to +85

Note:

- 1/ FOR ASSEMBLY DRAWING SEE 002002250028 2 WAY T POWER DIVIDER ASSEMBLY DRAWING
- 2/ OPERATING TEMPERATURE OF DIVIDER IS DEFINED AS TEMPERATURE AT THERMAL INTERFACE. WHEN BEING USED AS A COMBINER, HIGH POWER DIVIDER MUST BE HEATSUNK TO THERMAL INTERFACE ACCORDING TO POWER OF SIGNALS BEING COMBINED
- 3/ ROJONE PART No. DESIGNATIONS AMA-2255-2N or AMA-2255-2N-E (ENVIRONMENTAL VERSION)

ENVIRONMENTAL VERSIONS IS SPECIFICALLY DESIGNED FOR OUTDOOR USE WHEN CONNECTORS ARE MATED THE SPLITTER OFFERS A IP66 WATER RESISTANCE RATING.
- 4/ DIVIDERS ARE DESIGNED FOR LOW INTERMODULATION OPERATION
- 5/ ALL CONNECTORS ARE FEMALE N-TYPE WITH 12 TO 15 inlbs (1.30Nm - 1.70Nm) MATING TORQUE.
- 6/ LOW POWER VERSIONS FINISHED IN POLYURETHANE AS2700 N42 STORM GREY. HIGH POWER VERSIONS FINISHED IN FLAT BLACK.



REVISION	DATE	CHECKED
A	24-01-2000	M. TOBIAS
B	02-02-2000	M. TOBIAS
1	03-05-2000	M. TOBIAS
2	11-11-2002	H. JIA
3	21-04-2003	H. JIA
4	16-04-2003	H. JIA
5	28-04-2003	H. JIA
	2014-03-20	L. B.

ALL SPECIFICATIONS SUBJECT TO CHANGE

UNLESS OTHERWISE STATED ALL DIMENSIONS ARE IN MILLIMETRES (mm)

TOLERANCE: LINEAR ±0.1 ANGULAR ±1°

REMOVE ALL BURRS AND SHARP EDGES

<p>ROJONE PTY LTD ACN 002691241 44 AERO RD INGLEBURN 2565 SYDNEY, AUSTRALIA Ph: (612) 9829 1555 Fax: (612) 9605 8812 Web: www.rojone.com.au E-mail: sales@rojone.com.au</p>	TITLE 2 WAY T POWER DIVIDER INTERFACE DRAWING	
	DRWG No: 002002250026	
MATERIAL ALUMINIUM &/OR BRASS HOUSING & COVER	DRAWN Y. GU	SCALE 1:1
FINISH SEE NOTES	CHECKED L. B.	SHEET 1 OF 1
	APPROVED L. B.	FILENAME 002002250026ISS05.DWG

A4