



## SMA Male – TNC Male Adaptor

(Model: RO-SMAM-TNCM)

### Specifications

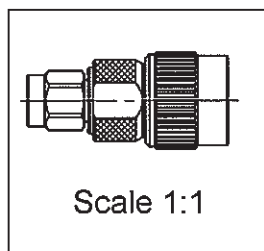
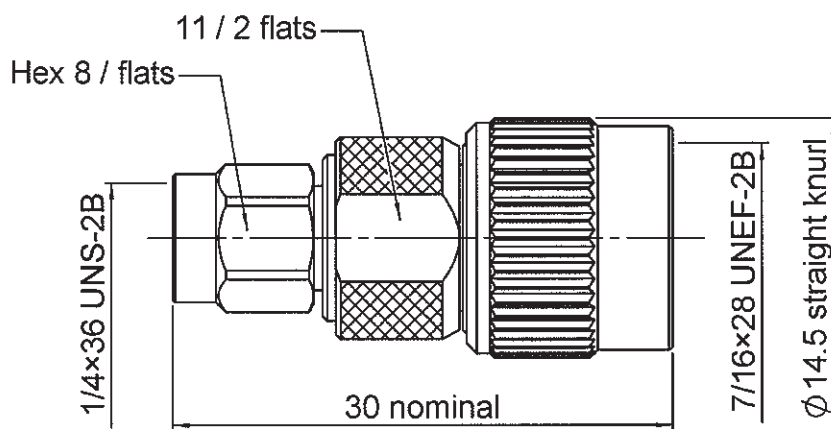
#### Electrical Specifications

|                 |                  |
|-----------------|------------------|
| Impedance       | 50 Ohms          |
| Frequency Range | DC to 6 GHz      |
| VSWR            | 1.05 : 1 maximum |



#### Mechanical Specifications

|                |                          |
|----------------|--------------------------|
| Body           | Brass                    |
| Centre Contact | Brass                    |
| Insulator      | PTFE                     |
| Gasket         | Silicone Rubber          |
| Other Parts    | Beryllium Copper, Nickel |
| Weight         | 15.18 grams              |



All dimensions are in mm.

