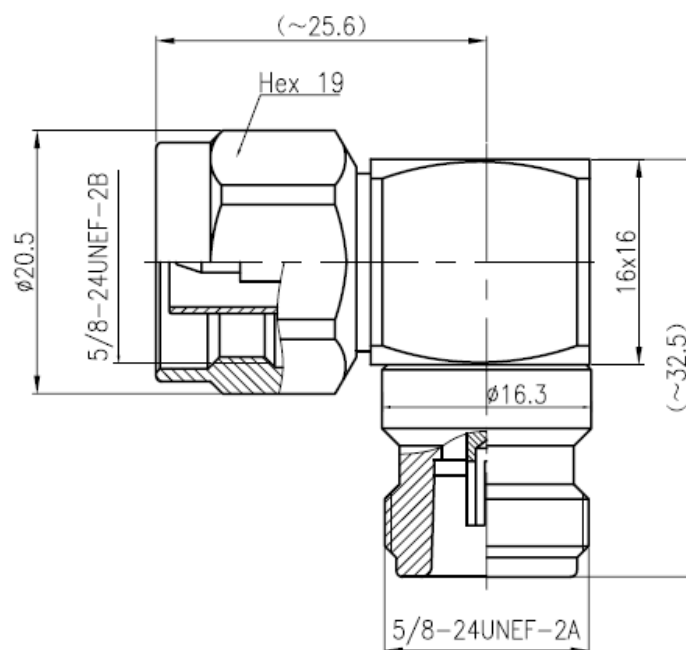


Product Data

Part Number RO-NF-MRA
Description N In-Series Male to Female Right Angle Low PIM Adaptor

Specifications

Frequency DC to 6 GHz optimized
Impedance 50 Ohms
VSWR < 1.30:1
Intermodulation >150 dBc (2x43dBm)
Mating Life Min 100 cycles
Operating Temp -55 to +125 Degrees C
Body Brass, Silver CuSnZn3
Weight 35 Grams



Proudly one of Australia's top 100 Professional & Military Electronics, GPS, RF & Telecommunications companies