



UHF Male Crimp, suit RG58 (Model: RO-UHF58MC)



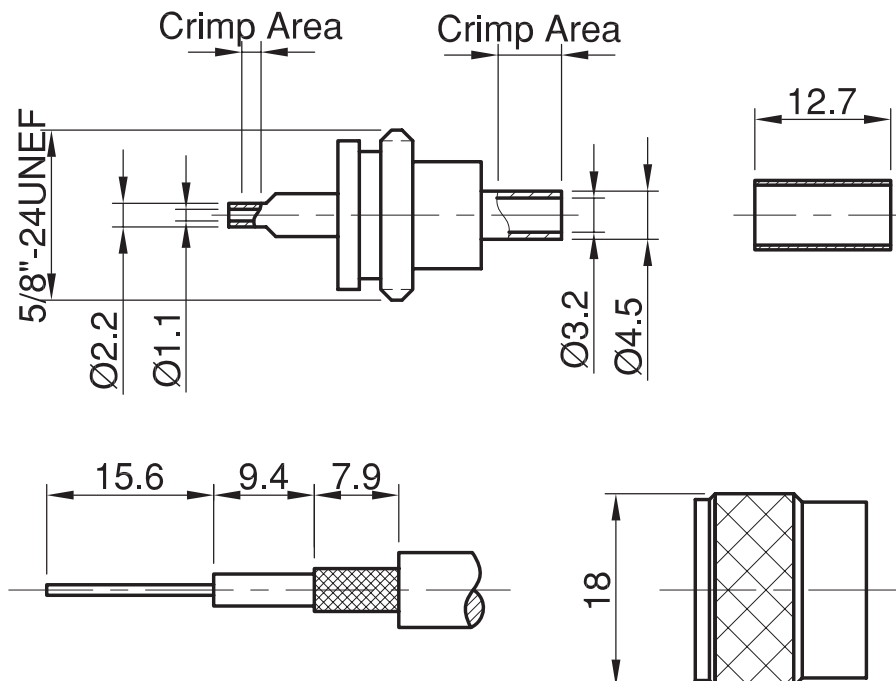
Specifications

Material

Body, Metal Parts	Nickel Plated Brass
Centre Contacts	Nickel Plated Brass
Insulators	Delrin
Crimp Ferrules	Nickel Plated Annealed Copper
Suitable Cable	RG58CU / LMR-195 / LMR-195-ULTRA
Crimp Tool	M22520-5-01
Die	M22520-5-11

Finish

Impedance	50 Ohms
Frequency Range	0 - 500 MHz



RECOMMENDED CABLE
RG58 STRIPPING DIM'S