



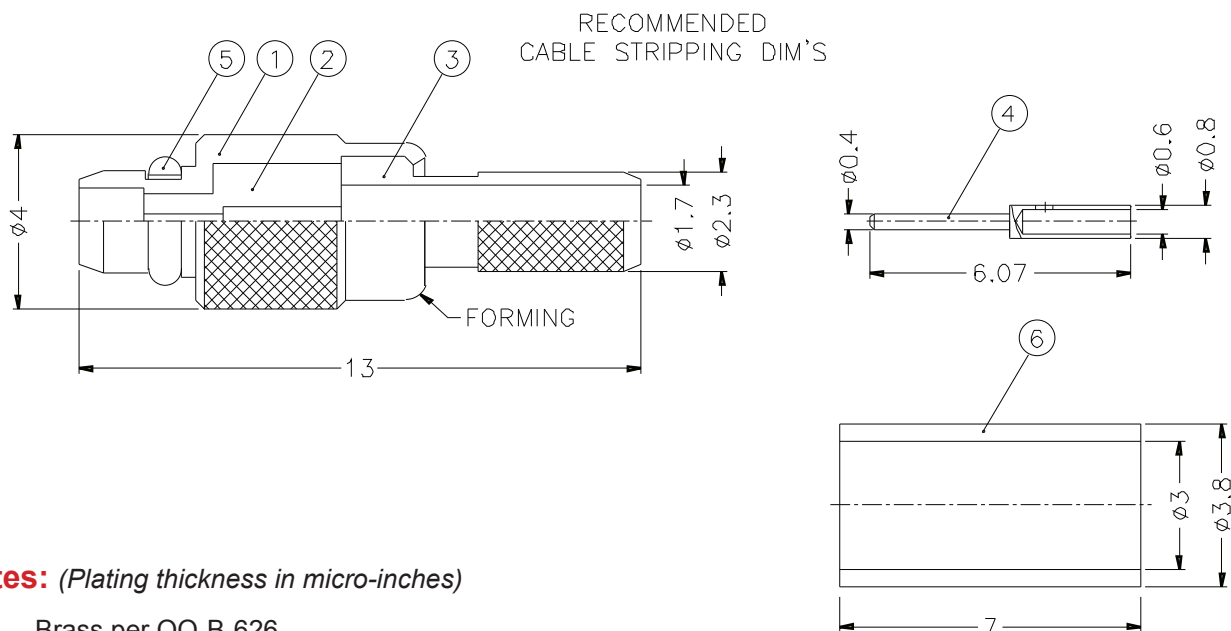
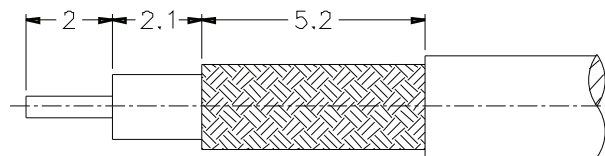
MMCX Male Crimp, suit RG-174 (Model: RO-MMCX174MC)

Specifications



Material / Finish

Body	Brass / Gold-Nickel-Copper
Insulator	Teflon MIL-P-19468
Barrel	Brass / Gold-Nickel-Copper
Contact Pin	Brass / Gold-Nickel-Copper
Retainer Ring	Beryllium Copper / Gold-Nickel-Copper



Notes: (Plating thickness in micro-inches)

1. Brass per QQ-B-626.
2. Gold Pl. 3 mln. thick over Nickel Pl. 100 mln. thick over copper strike.
3. Beryllium Copper per QQ-C-530.
4. Gold Pl. 30 mln. thick over Nickel Pl. 100 mln. thick over copper strike.
5. Teflon MIL-P-19468.