



Linear / Vertical Antenna for 5.6 / 5.8GHz (Model: SA-SAA04-200280)

Specifications

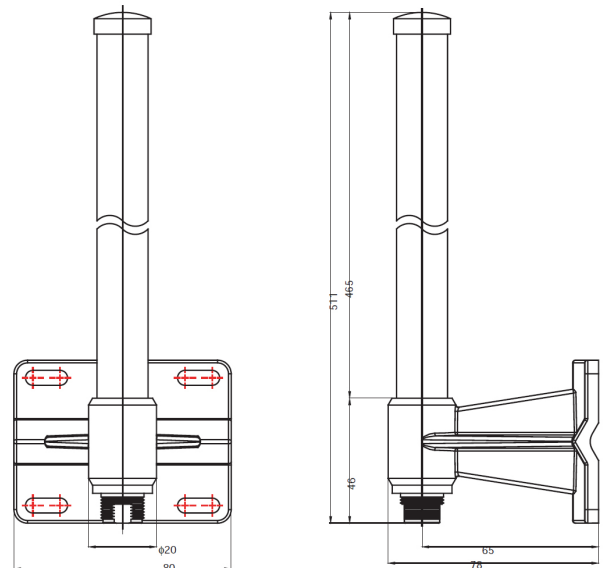
Electrical Specifications

Frequency Range	5500 - 5825 MHz
Gain	10 dBi
VSWR	2.0:1 max.
Polarisation	Linear, vertical
HPBW / horizontal	360°
HPBW / vertical	7°
Downtilt	2°
Power handling	5W (cw)
Impedance	50 Ohms
Connector	N Female

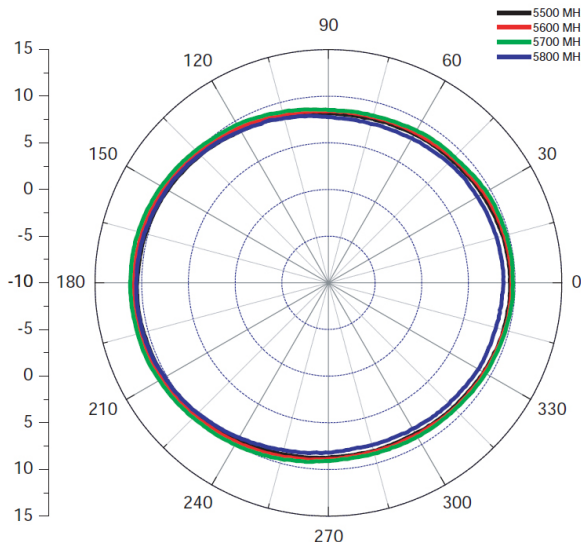


Environmental & Mechanical Specifications

Survival Wind Speed	216 km/h
Temperature	-40°C to +80°C
Humidity	95% @ 25°C
Radome Colour	Grey-white
Radome Material	Fibreglass, UV resistant
Weight	265g
Dimension	78 x 80 x 511mm



H-plane Co-polarisation Pattern @ downtilt 2°



V-plane Co-polarisation Pattern

