



## Omni-Directional Antenna for 5.6 / 5.8GHz

(Model: SA-SAA04-200180)

### Specifications

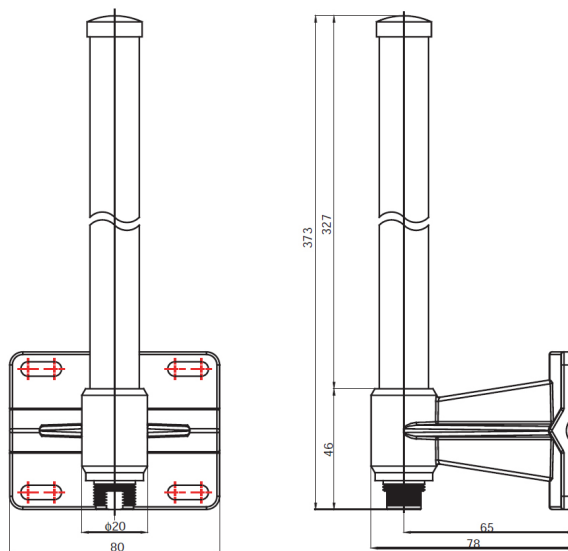
#### Electrical Specifications

Frequency Range	5500 - 5825 MHz
Gain	8 dBi
VSWR	2.0:1 max.
Polarisation	Linear, vertical
HPBW / horizontal	360°
HPBW / vertical	12°
Downtilt	0°
Power handling	5W (cw)
Impedance	50 Ohms
Connector	N Female

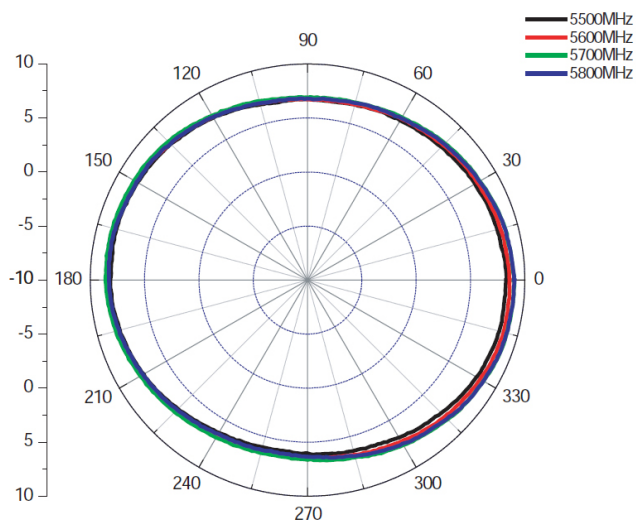


#### Environmental & Mechanical Specifications

Survival Wind Speed	216 km/h
Temperature	-40°C to +80°C
Humidity	95% @ 25°C
Radome Colour	Grey-white
Radome Material	Fibreglass
Weight	227g
Dimension	78 x 80 x 373mm



H-Plane Co-polarisation Pattern



V-plane Co-polarisation Pattern

