

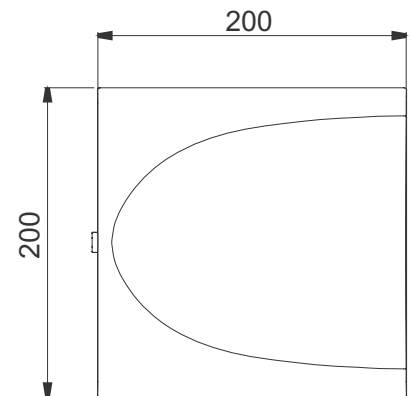


High Gain Directional Panel Antenna for 5.25/5.6/5.8 GHz

(Model: R0209-116)

Electrical Specifications

| | |
|----------------------|----------------------|
| Frequency Range | 5.25 GHz - 5.875 GHz |
| Gain | 17-18 dBi |
| VSWR | 2.0 : 1 max. |
| Polarisation | Linear, Vertical |
| HPBW / horizontal | 18° |
| HPBW / vertical | 18° |
| Front-to-back ratio | 25 dB |
| Downtilt | 0° |
| Power handling | 5W (cw) |
| Impedance | 50 Ohm |
| Connector | N Female |
| Lightning Protection | DC ground |



Environmental & Mechanical Characteristics

| | |
|---------------------|---------------------|
| Survival Wind Speed | 216 km/h |
| Temperature | -40°C to +80°C |
| Humidity | 95% @ 25°C |
| Radome Colour | Grey-white/Black |
| Radome Material | ABS, UV resistant |
| Weight | 0.825 kg |
| Dimensions | 215 x 200 x 48.5 mm |

