



High Gain Directional Panel Antenna for 2.4 ISM Band

(Model: PCW24-08012-AFL)

Specifications

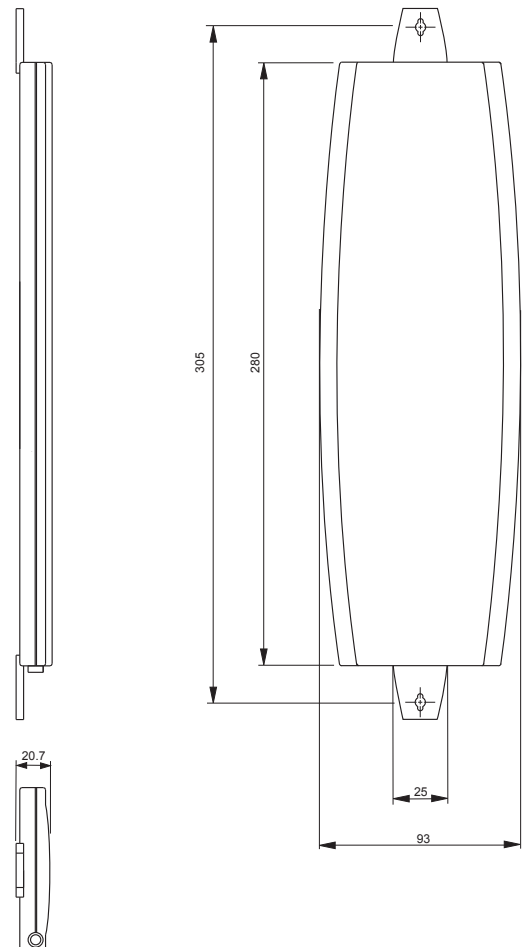
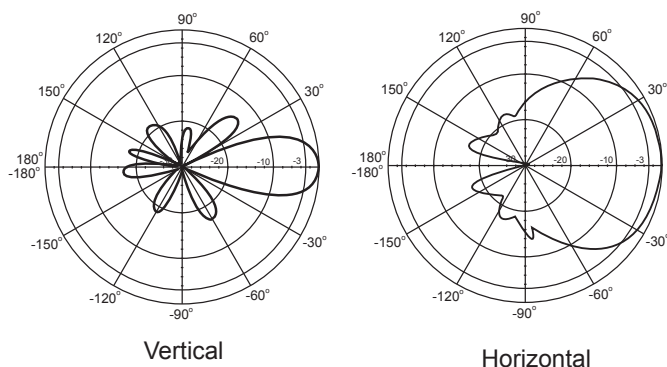
Electrical Specifications

Frequency Range	2400-2500 MHz
Gain	11.5 dBi
VSWR	1.5:1 max
Polarisation	Linear, vertical
HPBW / horizontal	80°
HPBW / vertical	23°
Front-to-back ratio	15 dB
Downtilt	0°
Power handling	10W (cw)
Impedance	50 Ohms
Connector	SMA Female



Environmental & Mechanical Specifications

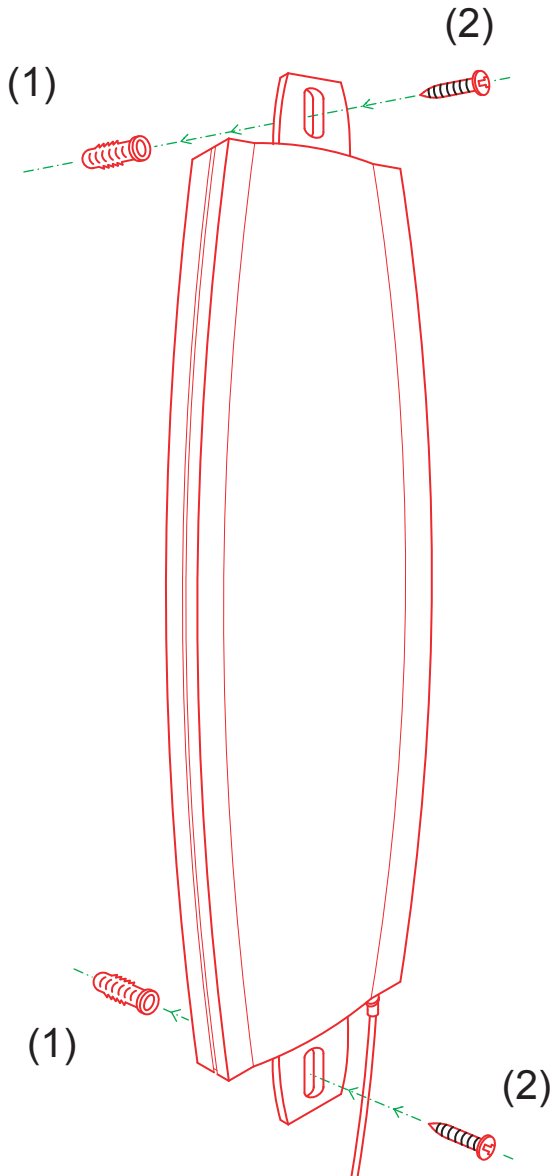
Survival wind speed	180 km/h
Temperature	-40°C to +80°C
Humidity	100% @ 25°C
Lightning Protection	DC Ground
Radome Colour	Grey-white
Radome Material	ABS/UV Resistant, Fire Retardant
Weight	0.19 kg
Size	330 x 93 x 20mm





Mounting Configuration

PCW24-08012-AFL

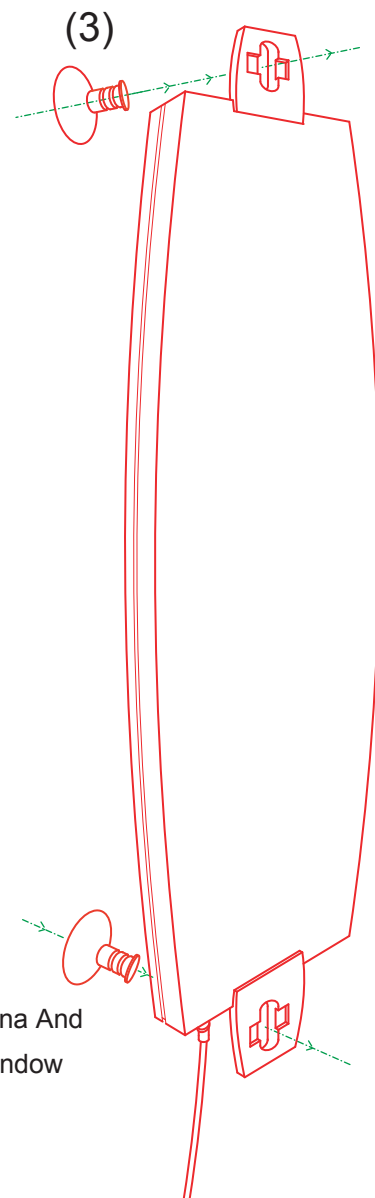


Outdoor / Indoor Wall Mount

- (1)-Plastic Wallplug
- (2)-Screw

Installation Information

- a) Insert Plug In Wall
- b) Insert Screw Through Antenna Into Plug And Tighten



Indoor Window Mount

(3)-Window Suction Cup

- a) Put (3) Through The Antenna And Press Onto The Window