



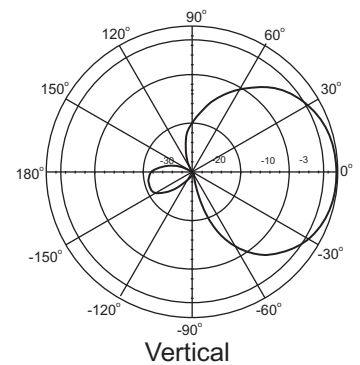
Pico Cell Patch Antenna for 2.4GHz (Model: PCW24-07008-AML-D)



Specifications

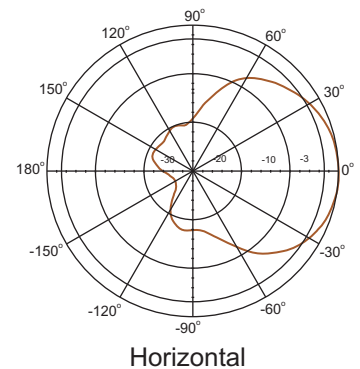
Electrical Specifications

Frequency Range	2400-2500 MHz
Gain	8.5 dBi
VSWR	1.5:1 max
Polarisation	Linear, vertical
HPBW / horizontal	50°
HPBW / vertical	50°
Front-to-back ratio	15 dB
Power handling	10W (cw)
Impedance	50 Ohms
Connector	SMA Male



Environmental & Mechanical Specifications

Survival wind speed	216 km/h (AML) 180 km/h (BFL)
Temperature	-40°C to +80°C
Humidity	95% @ 25°C
Lightning Protection	DC Ground
Radome Colour	Grey-white
Radome Material	ABS/UV Resistant
Housing Material	AL6063
Weight	0.3 kg
Dimension	120 x 120 x 43 mm



NOTE

This antenna does not come with mounting brackets

