

MIL-C-26482

Product Index

MIL-C-26482 SERIES 1 SOLDER

Part Number Construction Guide		2
MS3110	Wall Mount Receptacle	3
MS3111	In-Line Receptacle	4
MS3112	Box Mount Receptacle	5
MS3113	Hermetic Seal Solder Mount Receptacle	5
MS3114	Jam Nut Receptacle	6
MS3116	Straight Plug	6
MS3119	Through Bulkhead Receptacle	7

MIL-C-26482 SERIES 1 CRIMP, FRONT RELEASE

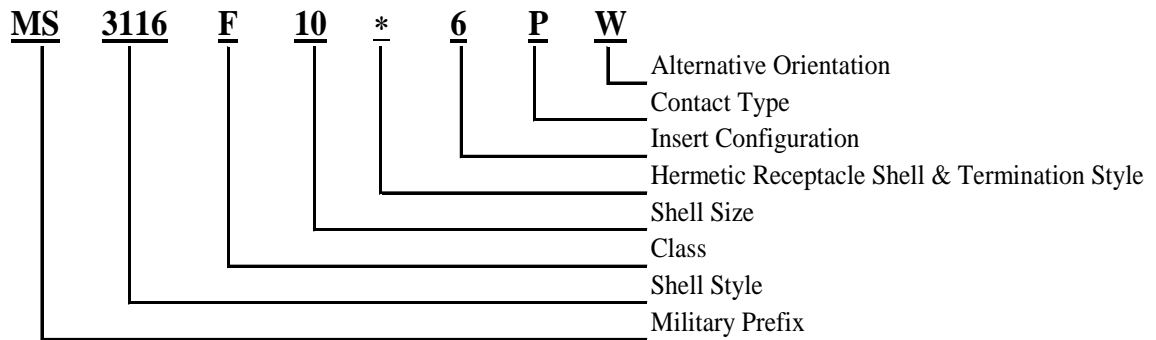
Part Number Construction Guide		8
MS3120	Wall Mount Receptacle	9
MS3121	In-Line Receptacle	9
MS3122	Box Mount Receptacle	10
MS3124	Jam Nut Receptacle	10
MS3126	Straight Plug	11
MS3127	Box Mount Large Flange Receptacle	11
MS3128	Wall Mount Large Flange Receptacle	12

MIL-C-26482 SERIES 2 CRIMP, REAR RELEASE

Part Number Construction Guide		13
MS3440	Hermetic Seal Box Mount Receptacle	14
MS3442	Hermetic Seal Wide Flange Box Mount Receptacle	14
MS3443	Hermetic Seal Solder Mount Receptacle	15
MS3449	Hermetic Seal Jam Nut Receptacle	15
MS3470	Wall Mount Receptacle	16
MS3471	In-Line Receptacle	16
MS3472	Wall Mount Wide Flange Receptacle	17
MS3473	Hermetic Seal Solder Mount Receptacle	17
MS3474	Jam Nut Receptacle	18
MS3475	Straight RFI Grounding Plug	18
MS3476	Straight Plug	19
MS3477	Hermetic Seal Box Mount Receptacle	19
MS3479	Hermetic Seal Jam Nut Receptacle	20

MIL-C-26482 Series 1 - Solder

PART NUMBER CONSTRUCTION



CODE	SHELL STYLE
MS3110	• Wall Mount Receptacle
MS3111	• In-Line Receptacle
MS3112	• Box Mount Receptacle
MS3113	• Hermetic Solder Mount Receptacle
MS3114	• Jam Nut Receptacle
MS3116	• Straight Plug
MS3119	• Through Bulkhead Receptacle
•	MIL-STD

INSERT CONFIGURATION	
See Page.....	
For Contact Sizes and Arrangement Codes	

CODE	CONTACT TYPE
C	Feed Through Contacts for MS3119
P	Pin Solder Bucket Contacts
S	Socket Solder Bucket Contacts

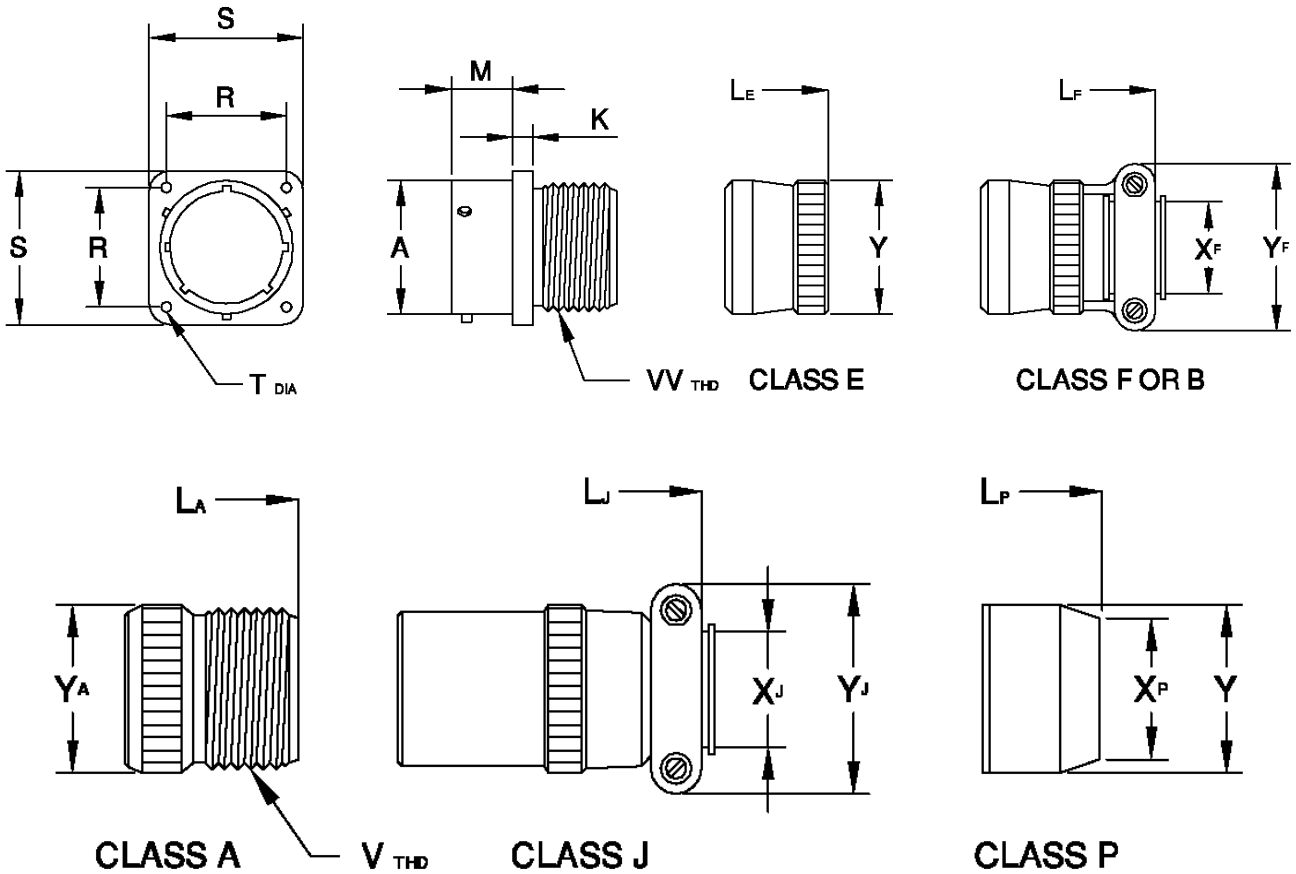
CODE	CLASS
A*	General Duty, Threaded Backshell
B*	General Duty with Strain Relief Clamp Shell
E	Grommet Seal
F	Grommet Seal with Strain Relief Clamp Shell
H	Hermetic
J	Cable Seal with Clamp
P	Potting Seal
* Not for new designs considered Obsolete	

CODE	ALTERNATIVE ORIENTATION
Blank	Normal position
W, X, Y, Z	See page.... For details

HERMETIC RECEPTACLES	
CODE	SHELL & TERMINATION STYLE
A	Solder Cup, Stainless Steel Shell
B	Eyelet, Stainless Steel Shell
C	Solder Cup, Ferrous Alloy Shell
Y	Eyelet, Ferrous Alloy Shell

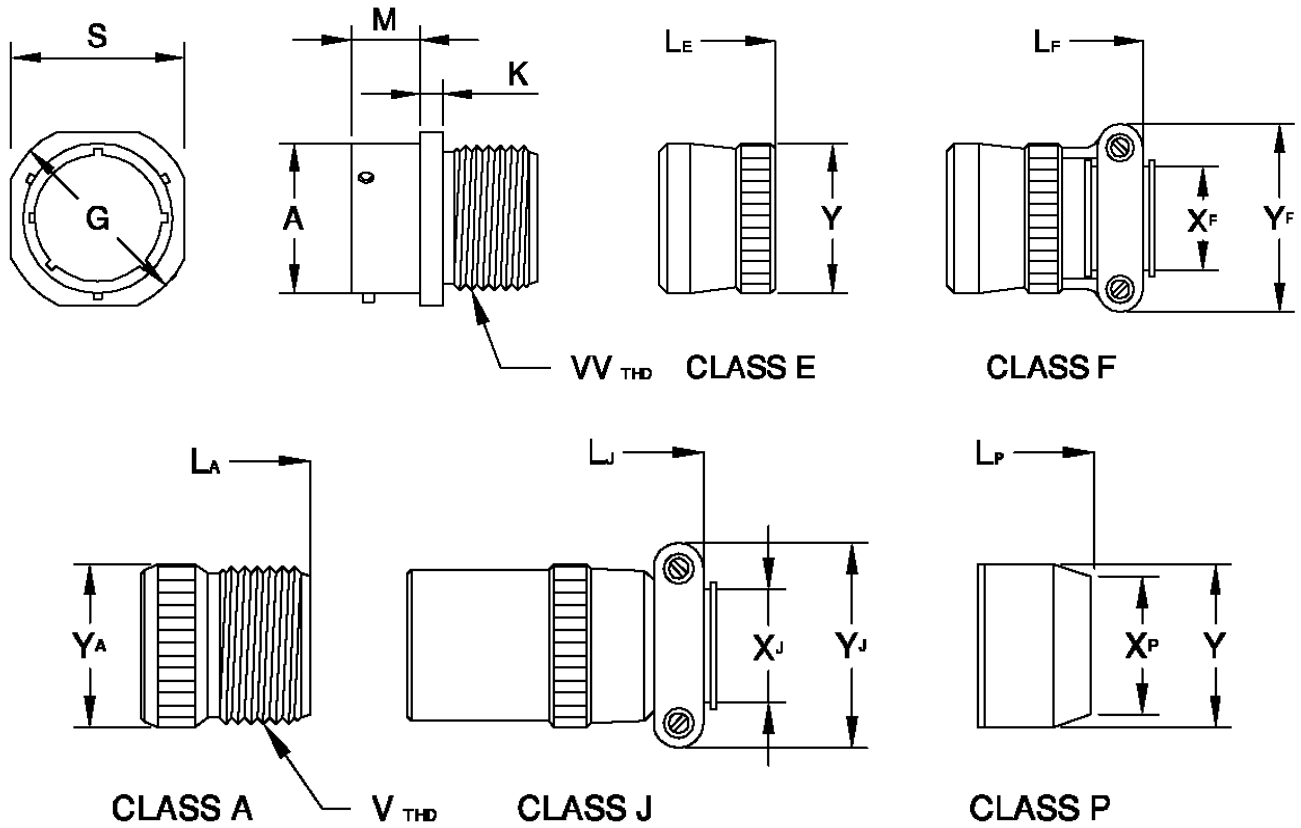
CODE	SHELL SIZE
See pages..... For selection	





SHELL SIZE	XF MIN. DIA.	XP MIN. DIA.	XJ		K ±.016	Y, Yp MAX.	Y, YF MAX.	YA MAX.	LE MAX.	LF MAX.	LP MAX.	LJ MAX.
			MIN. CLOSED I.D.	MAX. FREE I.D.								
8	0.234	0.317	0.168	0.230	0.062	0.608	0.828	0.590	1.281	1.922	1.453	3.271
10	0.297	0.434	0.205	0.312	0.062	0.734	0.891	0.717	1.281	1.922	1.453	3.271
12	0.422	0.548	0.338	0.442	0.062	0.858	1.016	0.834	1.281	1.922	1.453	2.411
14	0.547	0.673	0.416	0.539	0.062	0.984	1.141	0.970	1.281	1.922	1.453	2.599
16	0.609	0.798	0.550	0.616	0.062	1.110	1.203	1.088	1.281	2.047	1.453	2.943
18	0.734	0.899	0.600	0.672	0.062	1.234	1.469	1.216	1.281	2.078	1.453	3.172
20	0.734	1.024	0.635	0.747	0.094	1.360	1.469	1.332	1.531	2.344	1.672	3.610
22	0.922	1.149	0.670	0.846	0.094	1.484	1.656	1.460	1.531	2.344	1.672	3.766
24	0.984	1.274	0.740	0.894	0.094	1.610	1.750	1.585	1.594	2.406	1.734	3.985

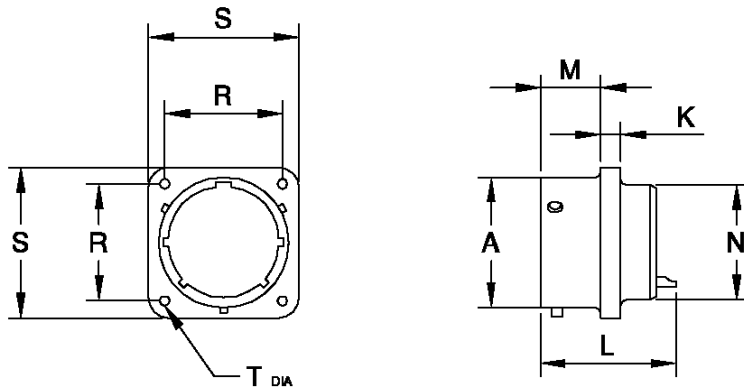
LA MAX.	M +.031 -.000	A ±.003	R (Tp)	S MAX.	T ±.005	V THREAD CLASS 2A	V V THREAD CLASS 2A
1.554	0.431	0.471	0.594	0.828	0.120	1/2-28 UNEF	7/16-28 UNEF
1.554	0.431	0.588	0.719	0.954	0.120	5/8-24 UNEF	9/16-24 NEF
1.554	0.431	0.748	0.812	1.047	0.120	3/4-20 UNEF	11/16-24 NEF
1.554	0.431	0.873	0.906	1.141	0.120	7/8-20 UNEF	13/16-20 UNEF
1.554	0.431	0.998	0.969	1.234	0.120	1-20 UNEF	15/16-20 UNEF
1.554	0.431	1.123	1.062	1.328	0.120	1 3/16-18 UNEF	1 1/16-18 NEF
1.771	0.556	1.248	1.156	1.453	0.120	1 3/16-18 UNEF	1 3/16-18 NEF
1.771	0.556	1.373	1.250	1.578	0.120	1 7/16-18 UNEF	1 5/16-18 NEF
1.834	0.589	1.498	1.375	1.703	0.147	1 7/16-18 UNEF	1 7/16-18 NEF



SHELL SIZE	Y _{E,P} MAX.	Y _{F,J} MAX.	Y _A MAX.	LE MAX.	LF MAX.	LP MAX.	L _J MAX.	L _A MAX.	L _{J,F} MAX.
8	0.608	0.828	0.590	1.328	1.922	1.453	2.271	1.554	2.271
10	0.734	0.891	0.717	1.328	1.922	1.453	2.271	1.554	2.271
12	0.858	1.016	0.834	1.328	1.922	1.453	2.411	1.554	2.411
14	0.984	1.141	0.970	1.328	1.922	1.453	2.599	1.554	2.599
16	1.110	1.203	1.088	1.328	2.047	1.453	2.943	1.554	2.943
18	1.234	1.469	1.216	1.328	2.078	1.453	3.172	1.554	3.172
20	1.360	1.469	1.332	1.531	2.234	1.672	3.610	1.771	3.610
22	1.484	1.656	1.460	1.531	2.234	1.672	3.766	1.771	3.766
24	1.610	1.750	1.585	1.594	2.406	1.734	3.985	1.834	3.985

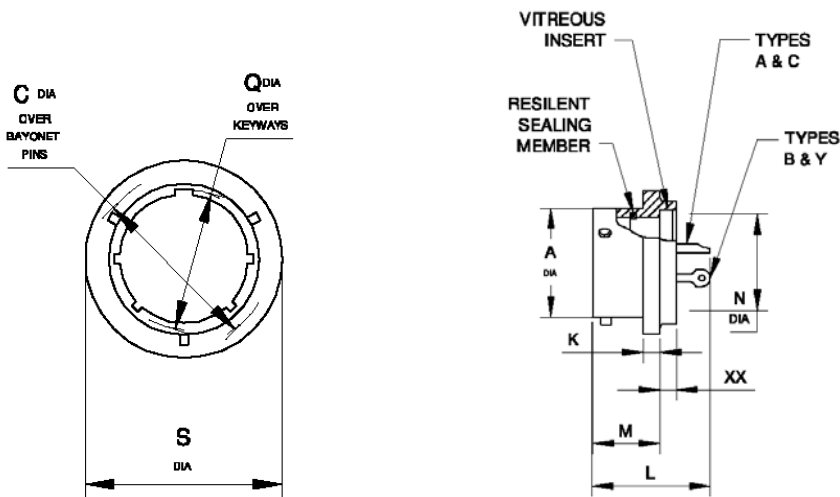
M +0.031 -0.000	A ±0.003	G ±0.020	S MAX.	V THREAD CLASS 2A	VV THREAD CLASS 2A	XF MIN.	XP MIN.	XJ		K +0.010 -0.016
								MIN. CLOSED I.D.	MAX. FREE I.D.	
0.400	0.471	0.938	0.828	1/2-28 UNEF	7/16-28 UNEF	0.234	0.317	0.168	0.230	0.094
0.400	0.588	1.062	0.954	5/8-24 UNEF	9/16-24 UNEF	0.297	0.434	0.205	0.312	0.094
0.400	0.748	1.156	1.047	3/4-20 UNEF	11/16-24 UNEF	0.422	0.548	0.338	0.442	0.094
0.400	0.873	1.250	1.141	7/8-20 UNEF	13/16-20 UNEF	0.547	0.673	0.416	0.539	0.094
0.400	0.998	1.344	1.234	1-20 UNEF	15/16-20 UNEF	0.609	0.798	0.550	0.616	0.094
0.400	1.123	1.438	1.328	1 3/16-18 UNEF	1 1/16-18 NEF	0.734	0.899	0.600	0.672	0.094
0.535	1.248	1.562	1.453	1 3/16-18 UNEF	1 3/16-18 NEF	0.734	1.024	0.635	0.747	0.115
0.535	1.373	1.688	1.578	1 7/16-18 UNEF	1 5/16-18 NEF	0.922	1.149	0.670	0.846	0.115
0.568	1.498	1.812	1.703	1 7/16-18 UNEF	1 7/16-18 NEF	0.984	1.274	0.740	0.894	0.115





CLASS E

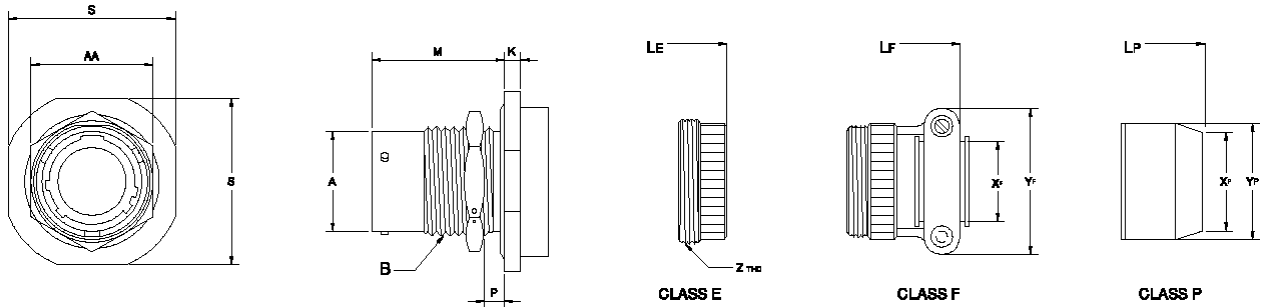
SHELL SIZE	K ±.010	N ±.015	L MAX.	M +.031 -.000	A ±.003	R (TP)	S MAX.	T ±.005
8	0.062	0.438	0.978	0.431	0.471	0.594	0.828	0.120
10	0.062	0.562	0.978	0.431	0.588	0.719	0.954	0.120
12	0.062	0.688	0.978	0.431	0.748	0.812	1.047	0.120
14	0.062	0.812	0.978	0.431	0.873	0.906	1.141	0.120
16	0.062	0.938	0.978	0.431	0.998	0.969	1.234	0.120
18	0.062	1.062	0.978	0.431	1.123	1.062	1.328	0.120
20	0.094	1.188	1.196	0.556	1.248	1.156	1.453	0.120
22	0.094	1.312	1.196	0.556	1.373	1.250	1.578	0.120
24	0.094	1.438	1.196	0.589	1.489	1.375	1.703	0.147



SHELL SIZE	A ±.003	C	K	L	M	N	Q	S	XX	INSERT ARRANGEMENT (REF)
8	0.471	0.563	0.031	0.828	0.411	0.562	0.412	0.625	0.156	MS33708
10	0.588	0.680	0.031	0.828	0.411	0.672	0.540	0.750	0.156	MS33709
12	0.748	0.859	0.031	0.828	0.411	0.781	0.689	0.844	0.156	MS33710
14	0.873	0.984	0.031	0.828	0.411	0.906	0.814	0.969	0.156	MS33711
16	0.998	1.108	0.031	0.828	0.411	1.031	0.939	1.094	0.156	MS33712
18	1.123	1.233	0.031	0.828	0.411	1.156	1.039	1.218	0.156	MS33713
20	1.248	1.358	0.031	0.891	0.473	1.250	1.164	1.312	0.156	MS33714
22	1.373	1.483	0.031	0.921	0.473	1.375	1.289	1.438	0.188	MS33715
24	1.498	1.610	0.031	0.921	0.506	1.500	1.414	1.563	0.188	MS33716

Jam Nut Receptacle

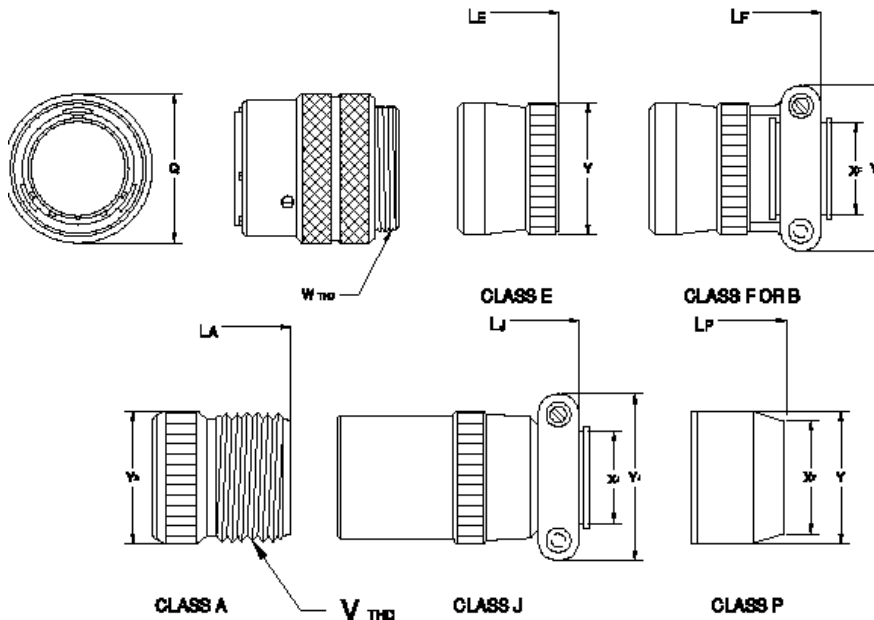
MS3114



SHELL SIZE	XF	P		XP	K	YF	YP	LE	LF	LP	M	A	A A	S	Z
		MIN.	MAX.												
8	0.234	0.062	0.125	0.317	±.020	0.828	0.608	1.344	1.906	1.391	±.010	±.003	0.767	0.954	5/8-24 UNEF
10	0.297	0.062	0.125	0.434	0.117	0.891	0.734	1.344	1.906	1.391	0.705	0.588	0.892	1.078	3/4-20 UNEF
12	0.422	0.062	0.125	0.548	0.117	1.016	0.858	1.344	1.906	1.391	0.705	0.748	1.079	1.266	7/8-20 UNEF
14	0.547	0.062	0.125	0.673	0.117	1.141	0.984	1.344	1.906	1.391	0.705	0.873	1.205	1.391	1-20 UNEF
16	0.609	0.062	0.125	0.798	0.117	1.203	1.110	1.344	2.047	1.391	0.705	0.998	1.329	1.516	1 1/8-18 UNEF
18	0.734	0.062	0.125	0.899	0.117	1.469	1.234	1.344	2.078	1.391	0.705	1.123	1.455	1.641	1 1/4-18 UNEF
20	0.734	0.062	0.250	1.024	0.148	1.469	1.360	1.544	2.328	1.641	0.893	1.248	1.579	1.828	1 3/8-18 UNEF
22	0.922	0.062	0.250	1.149	0.148	1.656	1.484	1.544	2.328	1.641	0.893	1.373	1.705	1.954	1 1/2-18 UNEF
24	0.984	0.062	0.250	1.274	0.148	1.750	1.610	1.641	2.453	1.703	0.926	1.498	1.829	2.078	1 5/8-18 UNEF

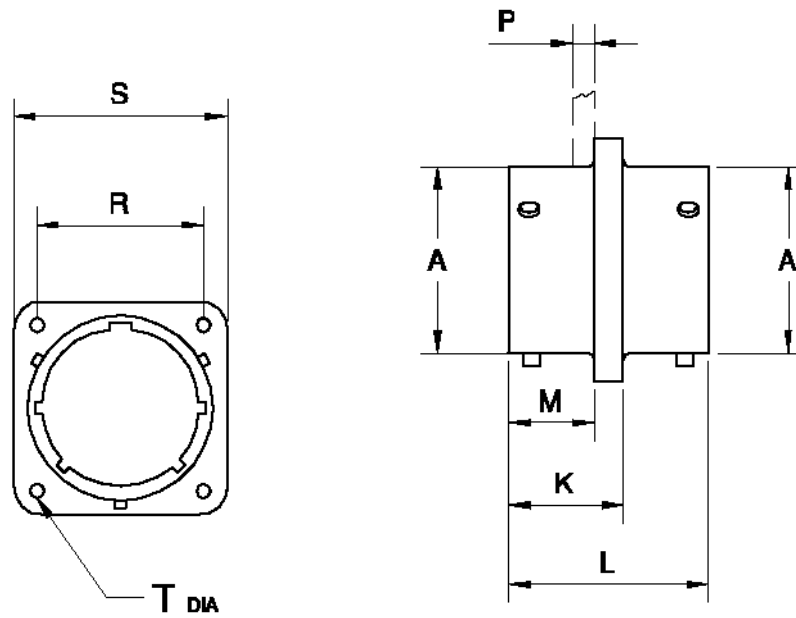
Straight Plug

MS3116



SHELL SIZE	XF	XP	XJ		YE,P	YF,J	YA	LE	LF	LP	LJ	LA	LJ,F	Q	V	V V
			MIN. CLOSED I.D.	MAX. FREE I.D.												
8	0.234	0.317	0.168	0.230	0.608	0.828	0.590	1.328	1.906	1.500	2.271	1.609	2.271	0.782	1/2-28 UNEF	7/16-28 UNEF
10	0.297	0.434	0.205	0.312	0.734	0.891	0.717	1.328	1.906	1.500	2.271	1.609	2.271	0.926	5/8-24 UNEF	9/16-24 NEF
12	0.422	0.548	0.338	0.442	0.858	1.016	0.834	1.328	1.906	1.500	2.411	1.609	2.411	1.043	3/4-20 UNEF	11/16-24 NEF
14	0.547	0.673	0.416	0.539	0.984	1.141	0.970	1.328	1.906	1.500	2.599	1.609	2.599	1.183	7/8-20 UNEF	13/16-20 UNEF
16	0.609	0.798	0.550	0.616	1.110	1.203	1.088	1.328	2.047	1.500	2.943	1.609	2.943	1.305	1-20 UNEF	15/16-20 UNEF
18	0.734	0.899	0.600	0.672	1.234	1.469	1.216	1.328	2.178	1.500	3.172	1.609	3.172	1.391	1 3/16-18 UNEF	1 1/16-18 NEF
20	0.734	1.024	0.635	0.747	1.360	1.469	1.332	1.453	2.250	1.609	3.610	1.656	3.610	1.531	1 3/16-18 UNEF	1 3/16-18 NEF
22	0.922	1.149	0.670	0.846	1.484	1.656	1.460	1.453	2.250	1.609	3.766	1.656	3.766	1.656	1 7/16-18 UNEF	1 5/16-18 NEF
24	0.984	1.274	0.740	0.894	1.610	1.750	1.585	1.510	2.312	1.687	3.985	1.750	3.985	1.777	1 7/16-18 UNEF	1 7/16-18 NEF

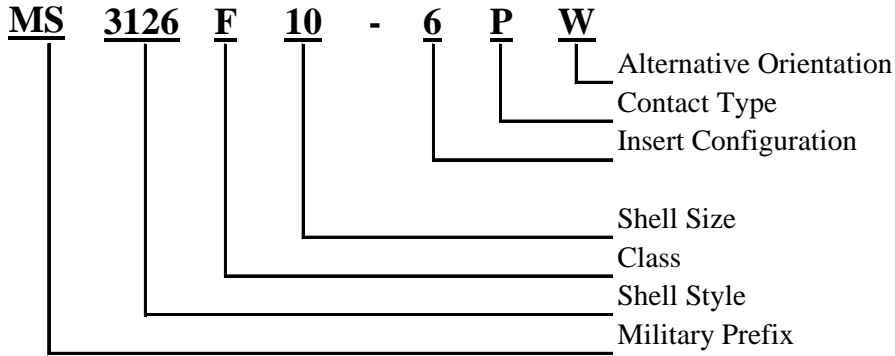




SHELL SIZE	A ±.003	K +.016 -.000	L +.006 -.005	M +.010 -.000	P MAX.	R (Tp)	S ±.016	T ±.005
8	0.471	0.626	1.125	0.562	0.125	0.594	0.812	0.120
10	0.588	0.626	1.125	0.562	0.125	0.719	0.938	0.120
12	0.748	0.626	1.125	0.562	0.125	0.812	1.031	0.120
14	0.873	0.626	1.125	0.562	0.125	0.906	1.125	0.120
16	0.998	0.626	1.125	0.562	0.125	0.969	1.291	0.120
18	1.123	0.626	1.125	0.562	0.125	1.062	1.312	0.120
20	1.248	0.781	1.330	0.688	0.125	1.156	1.438	0.120
22	1.373	0.781	1.330	0.688	0.125	1.250	1.156	0.120
24	1.498	0.781	1.406	0.688	0.125	1.375	1.688	0.147

MIL-C-26482 Series 1 - Crimp, Front Release

PART NUMBER CONSTRUCTION



CODE SHELL STYLE

- MS3120 • Wall Mount Receptacle
- MS3121 • In-Line Receptacle
- MS3122 • Box Mount Receptacle
- MS3124 • Jam Nut Receptacle
- MS3126 • Straight Plug
- MS3127 • Box Mount, Large Flange Receptacle
- MS3128 • Wall Mount, Large Flange Receptacle

- MIL-STD

CODE CLASS

- E Grommet Seal
- F Grommet Seal with Strain Relief Clamp Shell
- P Potting Seal

CODE SHELL SIZE

See pages..... For selection

INSERT CONFIGURATION

See Page.....
For Contact Sizes and Arrangement Codes

CODE CONTACT TYPE

- A Connector, less pin contacts
- B Connector, less socket contacts
- P Pin contacts
- S Socket contacts

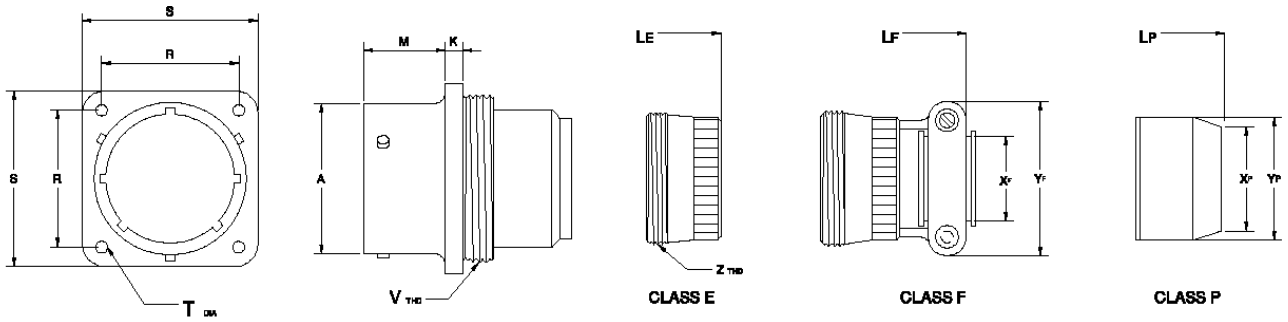
CODE ALTERNATIVE ORIENTATION

Blank Normal position
W, X, Y, Z See page.... For details



Wall Mount Receptacle

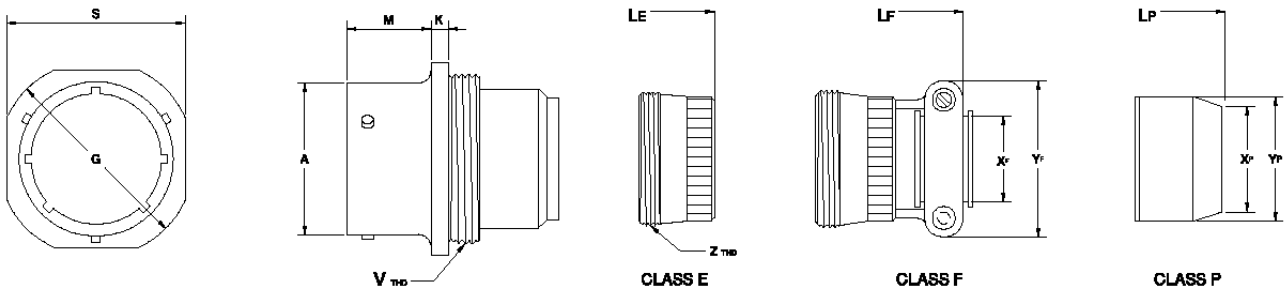
MS3120



SHELL SIZE	A ±.003	K ±.010	LE MAX.	LF MAX.	LP MAX.	M +.031 -0.000	R (Tp)	S MAX.	V THREAD CLASS 2A	XF MIN.	XP MIN.	YE MAX.	YF MAX.
8	0.471	0.062	1.552	2.422	1.675	0.431	0.594	0.828	7/16-28 UNEF	0.234	0.317	0.608	0.828
10	0.588	0.062	1.552	2.422	1.675	0.431	0.719	0.954	9/16-24 NEF	0.297	0.434	0.734	0.891
12	0.748	0.062	1.552	2.422	1.675	0.431	0.812	1.047	11/16-24 NEF	0.422	0.548	0.858	1.016
14	0.873	0.062	1.552	2.422	1.675	0.431	0.906	1.141	13/16-20 UNEF	0.547	0.673	0.984	1.141
16	0.998	0.062	1.552	2.537	1.675	0.431	0.969	1.234	15/16-20 UNEF	0.609	0.798	1.110	1.203
18	1.123	0.062	1.552	2.537	1.675	0.431	1.062	1.328	1 1/16-18 NEF	0.734	0.899	1.234	1.469
20	1.248	0.094	1.709	2.842	1.963	0.556	1.156	1.453	1 3/16-18 NEF	0.734	1.024	1.360	1.469
22	1.373	0.094	1.709	2.842	1.963	0.556	1.250	1.578	1 5/16-18 NEF	0.922	1.149	1.484	1.656
24	1.498	0.094	1.709	2.900	2.025	0.589	1.375	1.703	1 7/16-18 NEF	0.984	1.274	1.610	1.750

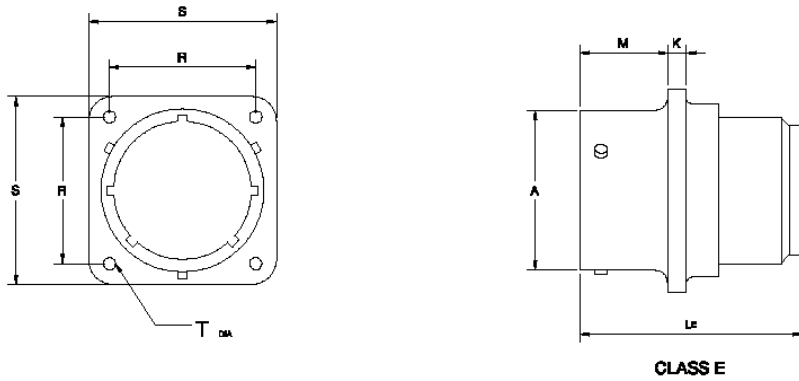
In-Line Receptacle

MS3121

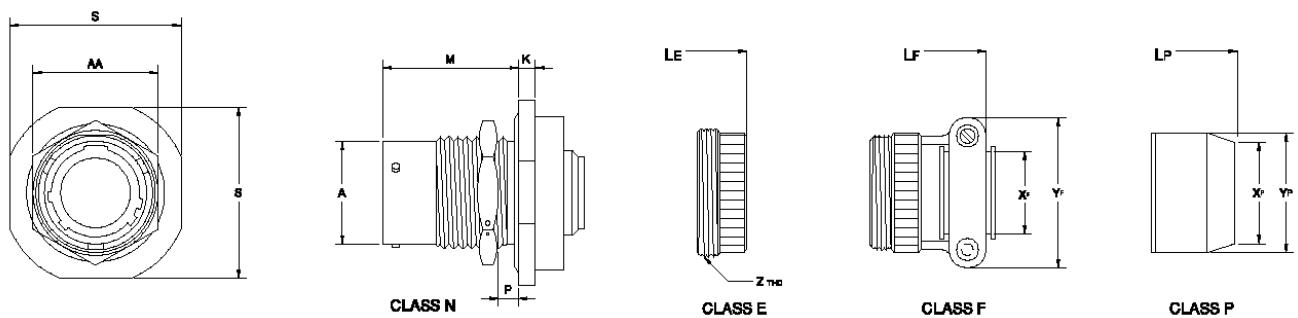


SHELL SIZE	A ±.003	K ±.010	LE MAX.	LF MAX.	LP MAX.	M +.031 -0.000	G ±.020	S MAX.	V THREAD CLASS 2A	XF MIN.	XP MIN.	YE MAX.	YF MAX.	YP MAX.
8	0.471	0.094	1.522	2.422	1.656	0.400	0.938	0.828	7/16-28 UNEF	0.234	0.317	0.608	0.828	0.608
10	0.588	0.094	1.522	2.422	1.656	0.400	1.062	0.954	9/16-24 NEF	0.297	0.434	0.734	0.891	0.734
12	0.748	0.094	1.522	2.422	1.656	0.400	1.156	1.047	11/16-24 NEF	0.422	0.548	0.858	1.016	0.858
14	0.873	0.094	1.522	2.422	1.656	0.400	1.250	1.141	13/16-20 UNEF	0.547	0.673	0.984	1.141	0.984
16	0.998	0.094	1.522	2.537	1.656	0.400	1.344	1.234	15/16-20 UNEF	0.609	0.798	1.110	1.203	1.110
18	1.123	0.094	1.522	2.537	1.656	0.400	1.438	1.328	1 1/16-18 NEF	0.734	0.899	1.234	1.469	1.234
20	1.248	0.115	1.709	2.842	1.750	0.535	1.562	1.453	1 3/16-18 NEF	0.734	1.024	1.360	1.469	1.360
22	1.373	0.115	1.709	2.842	1.750	0.535	1.688	1.578	1 5/16-18 NEF	0.922	1.149	1.484	1.656	1.484
24	1.498	0.115	1.709	2.900	1.782	0.568	1.812	1.703	1 7/16-18 NEF	0.984	1.274	1.610	1.750	1.610

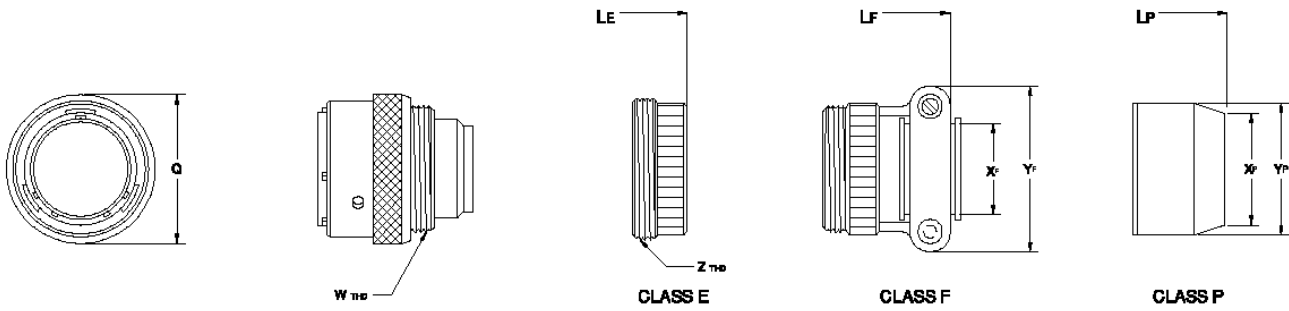




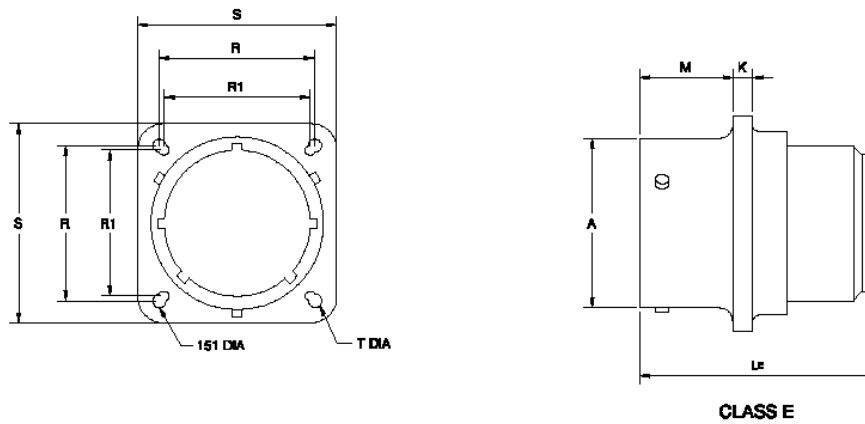
SHELL SIZE	A ±.003	K ±.010	LE MAX.	M +.031 -.000	R (TP)	S MAX.	T ±.005
8	0.471	0.062	1.320	0.431	0.594	0.828	0.120
10	0.588	0.062	1.320	0.431	0.719	0.954	0.120
12	0.748	0.062	1.320	0.431	0.812	1.047	0.120
14	0.873	0.062	1.320	0.431	0.906	1.141	0.120
16	0.998	0.062	1.320	0.431	0.969	1.234	0.120
18	1.123	0.062	1.320	0.431	1.062	1.328	0.120
20	1.248	0.094	1.367	0.556	1.156	1.453	0.120
22	1.373	0.094	1.367	0.556	1.250	1.578	0.120
24	1.498	0.094	1.418	0.589	1.375	1.703	0.147



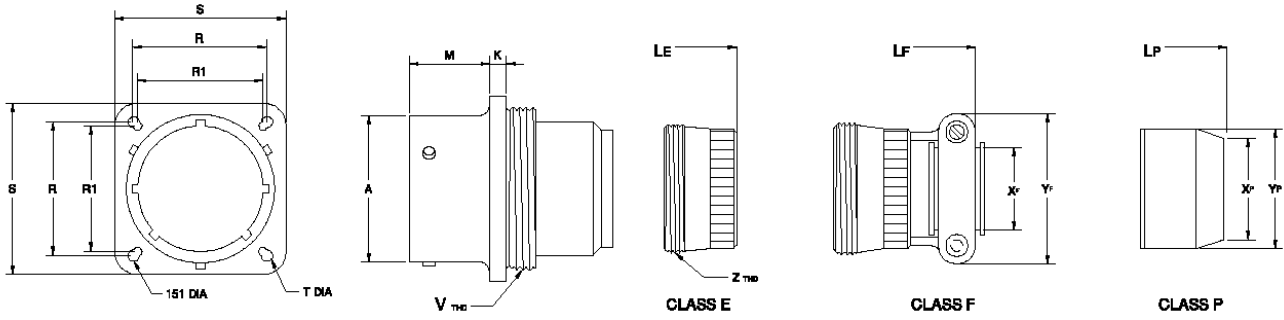
SHELL SIZE	A ±.003	K ±.020	LE MAX.	LF MAX.	LP MAX.	M +.031 -.000	P MIN.	S MAX.	AA MAX.	V THREAD CLASS 2A	XF MIN.	YF MAX.	YF MAX.	YP MAX.	XP MIN.
8	0.471	0.117	1.547	2.422	1.675	0.691	0.062	0.954	0.767	7/16-28 UNEF	0.234	0.750	0.828	0.608	0.317
10	0.588	0.117	1.547	2.422	1.675	0.691	0.062	1.078	0.892	9/16-24 NEF	0.297	0.875	0.891	0.734	0.434
12	0.748	0.117	1.547	2.422	1.675	0.691	0.062	1.266	1.079	11/16-24 NEF	0.422	1.000	1.016	0.858	0.548
14	0.873	0.117	1.547	2.422	1.675	0.691	0.062	1.391	1.205	13/16-20 UNEF	0.547	1.125	1.141	0.984	0.673
16	0.998	0.117	1.547	2.537	1.675	0.691	0.062	1.516	1.329	15/16-20 UNEF	0.609	1.250	1.203	1.110	0.798
18	1.123	0.117	1.547	2.537	1.675	0.691	0.062	1.641	1.455	1 1/16-18 NEF	0.734	1.375	1.469	1.234	0.899
20	1.248	0.148	1.709	2.842	1.963	0.879	0.062	1.828	1.579	1 3/16-18 NEF	0.734	1.531	1.469	1.360	1.024
22	1.373	0.148	1.709	2.842	1.963	0.879	0.062	1.954	1.705	1 5/16-18 NEF	0.922	1.656	1.656	1.484	1.149
24	1.498	0.148	1.709	2.900	2.025	0.912	0.062	2.078	1.829	1 7/16-18 NEF	0.984	1.781	1.750	1.610	1.274



SHELL SIZE	LE MAX.	LF MAX.	LP MAX.	Q MAX.	V THREAD CLASS 2A	XF MIN.	XP MIN.	YE MAX.	YF MAX.	YP MAX.
8	1.513	2.413	1.750	0.782	7/16-28 UNEF	0.234	0.317	0.608	0.828	0.608
10	1.513	2.413	1.750	0.926	9/16-24 NEF	0.297	0.434	0.734	0.891	0.734
12	1.513	2.413	1.750	1.043	11/16-24 NEF	0.422	0.548	0.858	1.016	0.858
14	1.513	2.413	1.750	1.183	13/16-20 UNEF	0.547	0.673	0.984	1.141	0.984
16	1.513	2.528	1.750	1.305	15/16-20 UNEF	0.609	0.798	1.110	1.203	1.110
18	1.513	2.528	1.750	1.391	1 1/16-18 NEF	0.734	0.899	1.234	1.469	1.234
20	1.638	2.753	1.892	1.531	1 3/16-18 NEF	0.734	1.024	1.360	1.469	1.360
22	1.638	2.753	1.892	1.656	1 5/16-18 NEF	0.922	1.149	1.484	1.656	1.484
24	1.638	2.830	1.953	1.777	1 7/16-18 NEF	0.984	1.274	1.610	1.750	1.610



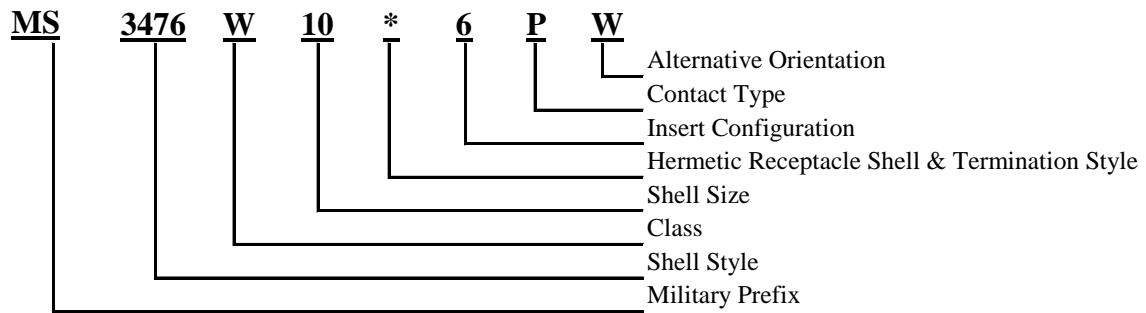
SHELL SIZE	A ±.003	K ±.010	LE MAX.	M +.031 -0.000	R (TP)	R1 (TP)	S MAX.	T ±.005
8	-	-	-	-	-	-	-	-
10	0.588	0.062	1.320	0.462	0.812	0.719	1.141	0.120
12	0.748	0.062	1.320	0.462	0.938	0.812	1.266	0.120
14	0.873	0.062	1.320	0.462	1.031	0.906	1.360	0.120
16	0.998	0.062	1.320	0.462	1.125	0.969	1.453	0.120
18	1.123	0.062	1.320	0.462	1.203	1.062	1.532	0.120
20	1.248	0.094	1.367	0.556	1.297	1.156	1.688	0.120
22	1.373	0.094	1.367	0.556	1.375	1.250	1.766	0.120
24	1.498	0.094	1.418	0.589	1.580	1.375	1.891	0.147



SHELL SIZE	A ±.003	K ±.010	LE MAX.	LF MAX.	LP MAX.	M +.031 -0.000	R (TP)	R1 (TP)	S MAX.	V THREAD CLASS 2A	XF MIN.	XP MIN.	YE MAX.	YF MAX.	YP MAX.	T ±.005
8	-	-	-	-	-	-	-	-	-	-	-	-	-	-	-	-
10	0.590	0.062	1.552	2.422	1.675	0.462	0.719	0.812	1.141	9/16-24 NEF	0.359	0.434	0.734	0.891	0.734	0.120
12	0.750	0.062	1.552	2.422	1.675	0.462	0.812	0.938	1.266	11/16-24 NEF	0.469	0.548	0.858	1.016	0.858	0.120
14	0.875	0.062	1.552	2.422	1.675	0.462	0.906	1.031	1.360	13/16-20 UNEF	0.589	0.673	0.984	1.141	0.984	0.120
16	1.000	0.062	1.552	2.537	1.675	0.462	0.969	1.125	1.453	15/16-20 UNEF	0.717	0.798	1.110	1.203	1.110	0.120
18	1.125	0.062	1.552	2.537	1.675	0.462	1.062	1.203	1.532	1 1/16-18 NEF	0.779	0.899	1.234	1.469	1.234	0.120
20	1.250	0.094	1.709	2.842	1.963	0.556	1.156	1.297	1.688	1 3/16-18 NEF	0.901	1.024	1.360	1.469	1.360	0.120
22	1.375	0.094	1.709	2.842	1.963	0.556	1.250	1.375	1.766	1 5/16-18 NEF	1.009	1.149	1.484	1.656	1.484	0.120
24	1.500	0.094	1.709	2.900	2.025	0.589	1.375	1.500	1.891	1 7/16-18 NEF	1.123	1.274	1.610	1.750	1.610	0.147

MIL-C-26482 Series 2 - Crimp, Rear Release

PART NUMBER CONSTRUCTION



CODE	CLASS	SHELL	STYLE
MS3440	H	Box Mount	Hermetic Receptacle
MS3442	H	Box Mount, Wide Flange,	Hermetic Receptacle
MS3443	H	Solder Mount,	Hermetic Receptacle
MS3449	H	Jam Nut	Hermetic Receptacle
MS3470	A,L,S,W	Wall Mount	Receptacle
MS3471	A,L,S,W	In-Line	Receptacle
MS3472	A,L,S,W	Wall Mount, Wide Flange	Receptacle
MS3473	N	Solder Mount,	Hermetic Receptacle
MS3474	A,L,S,W	Jam Nut	Receptacle
MS3475	L,S,W	Straight RFI Grounding	Plug
MS3476	A,L,S,W	Straight	Plug
MS3477	N	Box Mount	Hermetic Receptacle
MS3479	N	Jam Nut	Hermetic Receptacle

CODE	CLASS
A	Grommet Seal, Nonconductive 200 C Finish
E	Grommet Seal, Conductive Finish, Use "L" Class for New Designs
H	Hermetic Seal, Conductive 175 C Finish
L	Grommet Seal, Fluid Resistant, Conductive 200 C Finish
N	Hermetic Seal, Crimp Termination, Conductive 175 C Finish
S	Grommet Seal, Stainless Steel conductive 200 C Finish
W	Grommet Seal, 500 Hour Salt Spray Conductive 175 C Finish

CODE	SHELL SIZE
See pages..... For selection	

INSERT CONFIGURATION
See Page..... For Contact Sizes and Arrangement Codes

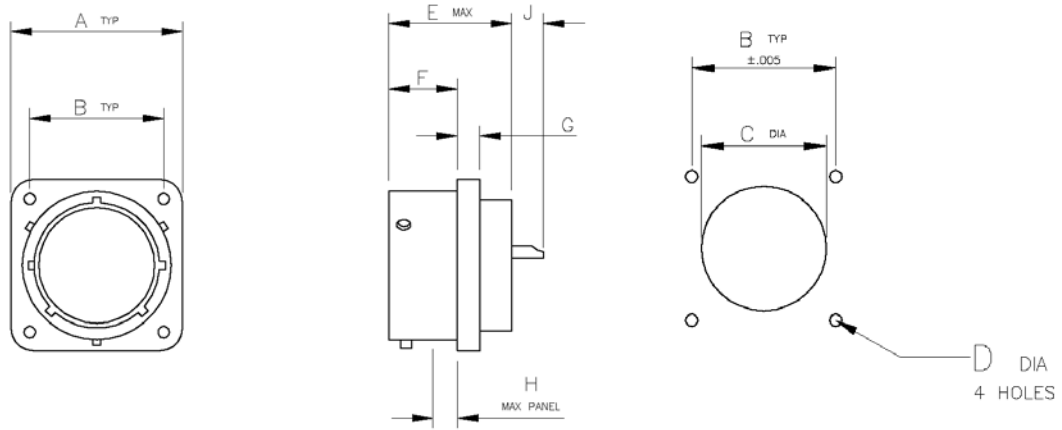
CODE	CONTACT TYPE
A	Connector, less pin contacts
B	Connector, less socket contacts
P	Pin contacts
S	Socket contacts

CODE	ALTERNATIVE ORIENTATION
Blank	Normal position
W, X, Y, Z	See page.... For details
W, X, Y, Z	See page.... For details

CODE	HERMETIC RECEPTACLES SHELL & TERMINATION STYLE
A	Solder Cup, Stainless Steel Shell
B	Eyelet, Stainless Steel Shell
C	Solder Cup, Ferrous Alloy Shell
Y	Eyelet, Ferrous Alloy Shell

Hermetic Seal Box Mount Receptacle

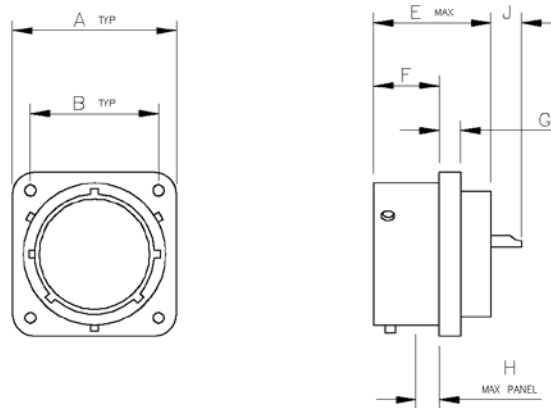
MS3440H



Shell Size	A	B	C ±.005	D ±.010	E	F ±.010	G ±.016	H	J ±.030	
									Contact Size	
									20	16 & 12
8	.828	.594	.568	.120	.801	.588	.062	.087	.148	.218
10	.954	.719	.685	.120	.801	.588	.062	.087	.148	.218
12	1.047	.812	.864	.120	.801	.588	.062	.087	.148	.218
14	1.141	.906	.989	.120	.801	.588	.062	.087	.148	.218
16	1.234	.969	1.113	.120	.801	.588	.062	.087	.148	.218
18	1.328	1.062	1.238	.120	.801	.588	.062	.087	.148	.218
20	1.453	1.156	1.363	.120	.863	.650	.094	.212	.148	.218
22	1.578	1.250	1.488	.120	.895	.650	.094	.212	.116	.186
24	1.703	1.375	1.615	.147	.895	.650	.094	.212	.116	.186

Hermetic Seal Wide Flange Box Mount Receptacle

MS3442H

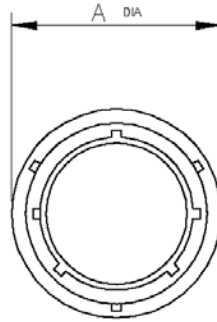


Shell Size	A	B	C ±.005	D ±.010	E	F ±.010	G ±.016	H	J ±.030	
									Contact Size	
									20	16 & 12
8	1.065	.734	.568	.150	.801	.588	.062	.118	.148	.218
10	1.141	.812	.685	.150	.801	.588	.062	.118	.148	.218
12	1.266	.938	.864	.150	.801	.588	.062	.118	.148	.218
14	1.360	1.031	.989	.150	.801	.588	.062	.118	.148	.218
16	1.453	1.125	1.113	.150	.801	.588	.062	.118	.148	.218
18	1.532	1.203	1.238	.150	.801	.588	.062	.118	.148	.218
20	1.688	1.297	1.363	.150	.863	.650	.094	.212	.148	.218
22	1.766	1.375	1.488	.150	.895	.650	.094	.212	.116	.186
24	1.891	1.500	1.615	.150	.895	.650	.094	.212	.116	.186



Hermetic Seal Solder Mount Receptacle

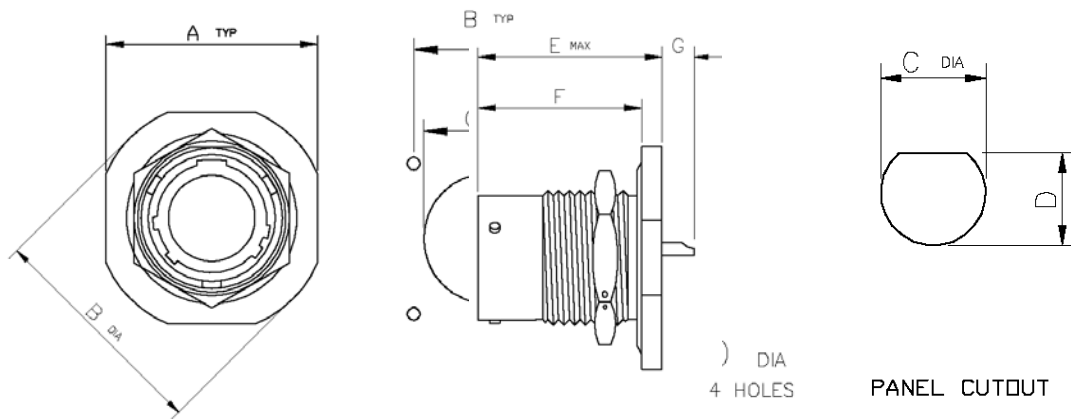
MS3443



SHELL SIZE	A	B	C ±.005	D ±.010	E	F ±.010	G ±.016	H	J ± .030	
									CONTACT SIZE	
									20	16 & 12
8	1.065	0.734	0.568	0.150	0.801	0.588	0.062	0.118	0.148	0.218
10	1.141	0.812	0.685	0.150	0.801	0.588	0.062	0.118	0.148	0.218
12	1.266	0.938	0.864	0.150	0.801	0.588	0.062	0.118	0.148	0.218
14	1.360	1.031	0.989	0.150	0.801	0.588	0.062	0.118	0.148	0.218
16	1.453	1.125	1.113	0.150	0.801	0.588	0.062	0.118	0.148	0.218
18	1.532	1.203	1.238	0.150	0.801	0.588	0.062	0.118	0.148	0.218
20	1.688	1.297	1.363	0.150	0.863	0.650	0.094	0.212	0.148	0.218
22	1.766	1.375	1.488	0.150	0.895	0.650	0.094	0.212	0.116	0.186
24	1.891	1.500	1.615	0.150	0.895	0.650	0.094	0.212	0.116	0.186

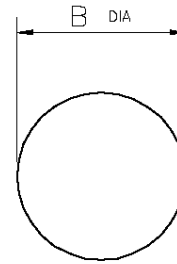
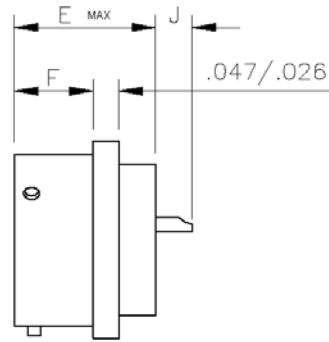
Hermetic Seal Jam Nut Receptacle

MS3449



SHELL SIZE	A	B	C ±.005	D ±.010	E	F ±.010	G ±.016	H	J ± .030	
									CONTACT SIZE	
									20	16 & 12
8	0.828	0.594	0.568	0.120	0.801	0.588	0.062	0.087	0.148	0.218
10	0.954	0.719	0.685	0.120	0.801	0.588	0.062	0.087	0.148	0.218
12	1.047	0.812	0.864	0.120	0.801	0.588	0.062	0.087	0.148	0.218
14	1.141	0.906	0.989	0.120	0.801	0.588	0.062	0.087	0.148	0.218
16	1.234	0.969	1.113	0.120	0.801	0.588	0.062	0.087	0.148	0.218
18	1.328	1.062	1.238	0.120	0.801	0.588	0.062	0.087	0.148	0.218
20	1.453	1.156	1.363	0.120	0.863	0.650	0.094	0.212	0.148	0.218
22	1.578	1.250	1.488	0.120	0.895	0.650	0.094	0.212	0.116	0.186
24	1.703	1.375	1.615	0.147	0.895	0.650	0.094	0.212	0.116	0.186

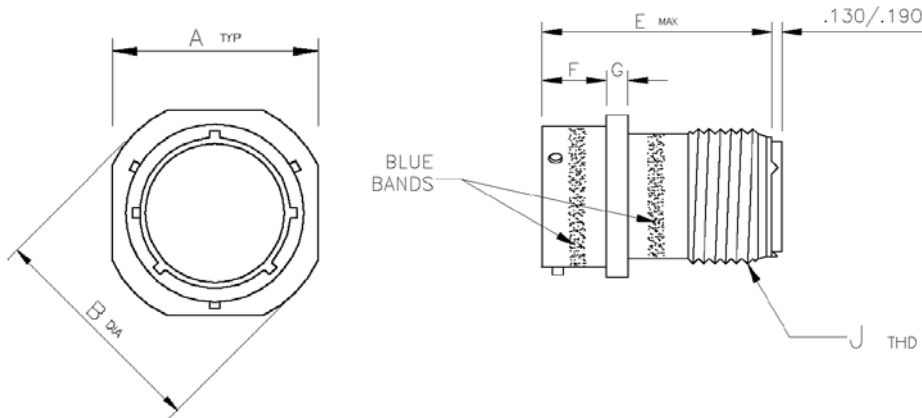




PANEL CUTOUT

SHELL SIZE	A ±.010	B	E	F ±.010	J	
					CONTACT SIZE	
					20	16 & 12
8	0.625	0.570	0.801	0.588	0.148	0.218
10	0.750	0.680	0.801	0.588	0.148	0.218
12	0.844	0.789	0.801	0.588	0.148	0.218
14	0.969	0.914	0.801	0.588	0.148	0.218
16	1.094	1.039	0.801	0.588	0.148	0.218
18	1.218	1.164	0.801	0.588	0.148	0.218
20	1.312	1.258	0.863	0.650	0.148	0.218
22	1.438	1.383	0.895	0.650	0.116	0.186
24	1.564	1.508	0.895	0.650	0.116	0.186

In-Line Receptacle

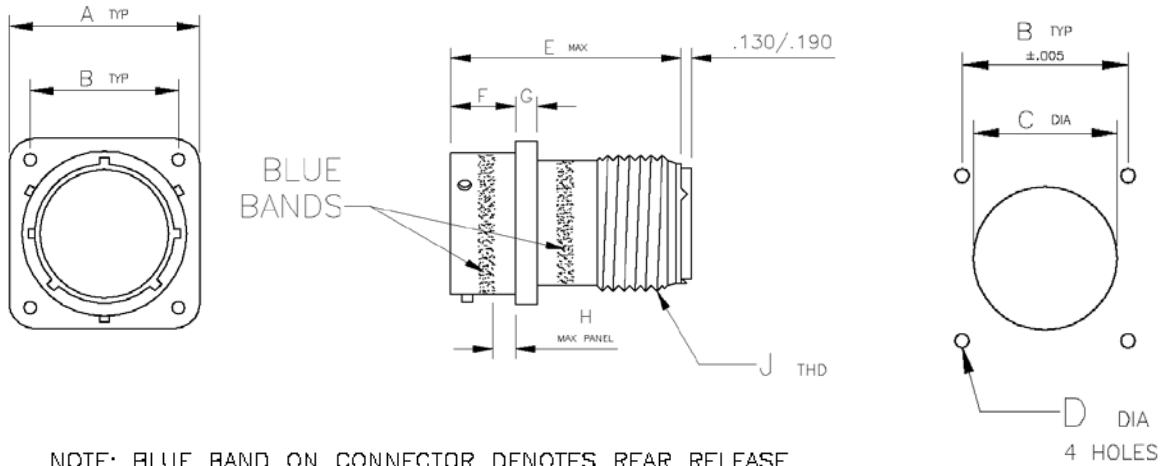


NOTE: BLUE BAND ON CONNECTOR DENOTES REAR RELEASE

SHELL SIZE	A	B ±.030	E	F ±.015	G ±.016	J THREAD-2A
8	0.828	0.948	1.215	0.446	0.062	1/2-20 UNF
10	0.954	1.072	1.215	0.446	0.062	5/8-24 UNEF
12	1.047	1.166	1.215	0.446	0.062	3/4-20 UNEF
14	1.141	1.260	1.215	0.446	0.062	7/8-20 UNEF
16	1.234	1.354	1.215	0.446	0.062	1-20 UNEF
18	1.328	1.448	1.215	0.446	0.062	1 1/16-18 UNEF
20	1.453	1.572	1.275	0.572	0.094	1 3/16-18 UNEF
22	1.578	1.698	1.275	0.572	0.094	1 5/16-18 UNEF
24	1.703	2.822	1.275	0.604	0.094	1 7/16-18 UNEF

Wall Mount Wide Flange Receptacle

MS3472

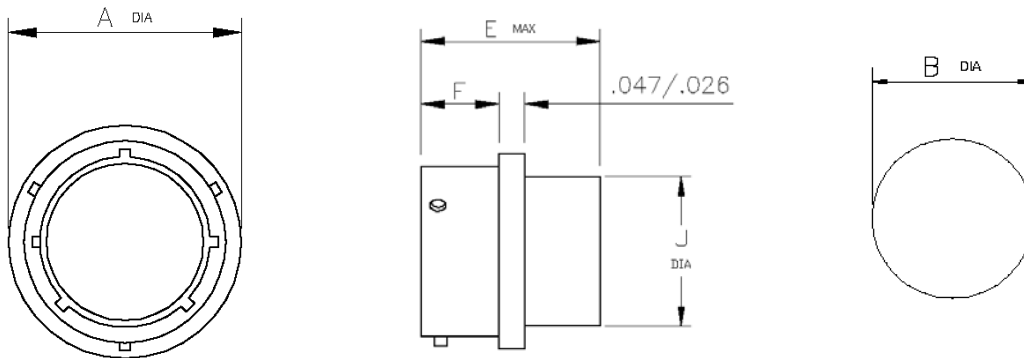


NOTE: BLUE BAND ON CONNECTOR DENOTES REAR RELEASE

SHELL SIZE	A	B	C ±.005	D ±.010	E	F +.016 -.015	G ±.016	H	J THREAD-2A
8	1.065	0.734	0.568	0.150	1.215	0.477	0.062	0.118	1/2-20 UNEF
10	1.141	0.812	0.685	0.150	1.215	0.477	0.062	0.118	5/8-24 UNEF
12	1.266	0.938	0.864	0.150	1.215	0.477	0.062	0.118	3/4-20 UNEF
14	1.360	1.031	0.989	0.150	1.215	0.477	0.062	0.118	7/8-20 UNEF
16	1.453	1.125	1.113	0.150	1.215	0.477	0.062	0.118	1-20 UNEF
18	1.532	1.203	1.238	0.150	1.215	0.477	0.062	0.118	1 1/16-18 UNEF
20	1.688	1.297	1.363	0.150	1.275	0.571	0.094	0.212	1 3/16-18 UNEF
22	1.766	1.375	1.488	0.150	1.275	0.571	0.094	0.212	1 5/16-18 UNEF
24	1.891	1.50	1.615	0.150	1.275	0.604	0.094	0.212	1 7/16-18 UNEF

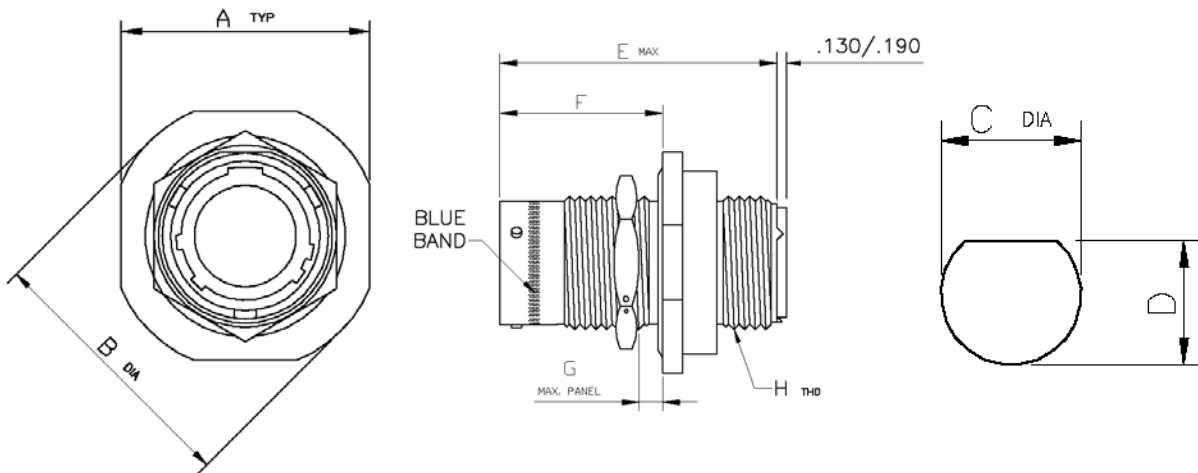
Hermetic Seal Solder Mount Receptacle

MS3473



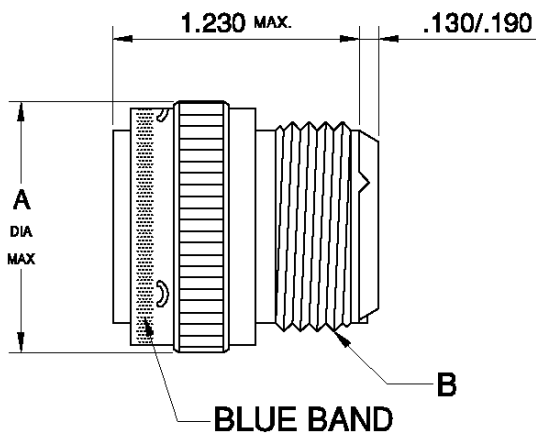
SHELL SIZE	A ±.010	B	E	F ±.012	J ±.003
8	0.625	0.570	1.078	0.723	0.560
10	0.750	0.680	1.078	0.723	0.670
12	0.844	0.789	1.078	0.723	0.779
14	0.969	0.914	1.078	0.723	0.904
16	1.094	1.039	1.078	0.723	1.030
18	1.218	1.164	1.078	0.723	1.154
20	1.312	1.258	1.140	0.811	1.248
22	1.438	1.383	1.140	0.811	1.373
24	1.564	1.508	1.140	0.811	1.498





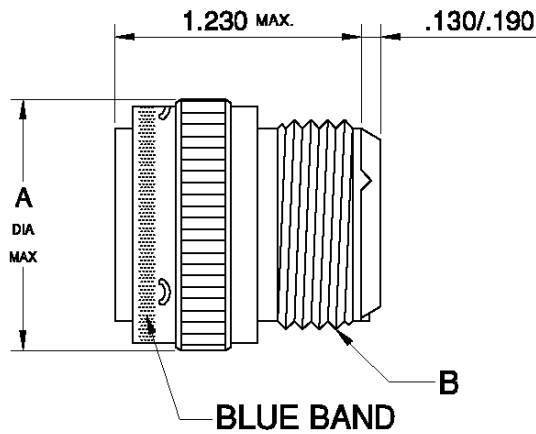
NOTE: BLUE BAND ON CONNECTOR DENOTES REAR RELEASE

SHELL SIZE	A +.016 -.015	B +.016 -.015	C ±.005	D ±.005	E	F ±.025	G	H THREAD-2A
8	0.938	1.063	0.572	0.536	1.215	0.683	0.187	1/2-20 UNF
10	1.063	1.187	0.697	0.661	1.215	0.683	0.187	5/8-24 UNEF
12	1.250	1.346	0.895	0.824	1.215	0.683	0.187	3/4-20 UNEF
14	1.346	1.500	1.010	0.948	1.215	0.683	0.187	7/8-20 UNEF
16	1.500	1.625	1.135	1.072	1.215	0.683	0.187	1-20 UNEF
18	1.625	1.750	1.260	1.197	1.215	0.683	0.187	1 1/16-18 UNEF
20	1.812	1.938	1.385	1.322	1.275	0.746	0.250	1 3/16-18 UNEF
22	1.938	2.063	1.510	1.447	1.275	0.746	0.250	1 5/16-18 UNEF
24	2.063	2.187	1.635	1.572	1.275	0.746	0.219	1 7/16-18 UNEF



SHELL SIZE	A	B THREAD-2A
8	0.782	1/2-20 UNF
10	0.926	5/8-24 UNEF
12	1.043	3/4-20 UNEF
14	1.183	7/8-20 UNEF
16	1.305	1-20 UNEF
18	1.391	1 1/16-18 UNEF
20	1.531	1 3/16-18 UNEF
22	1.656	1 5/16-18 UNEF
24	1.777	1 7/16-18 UNEF

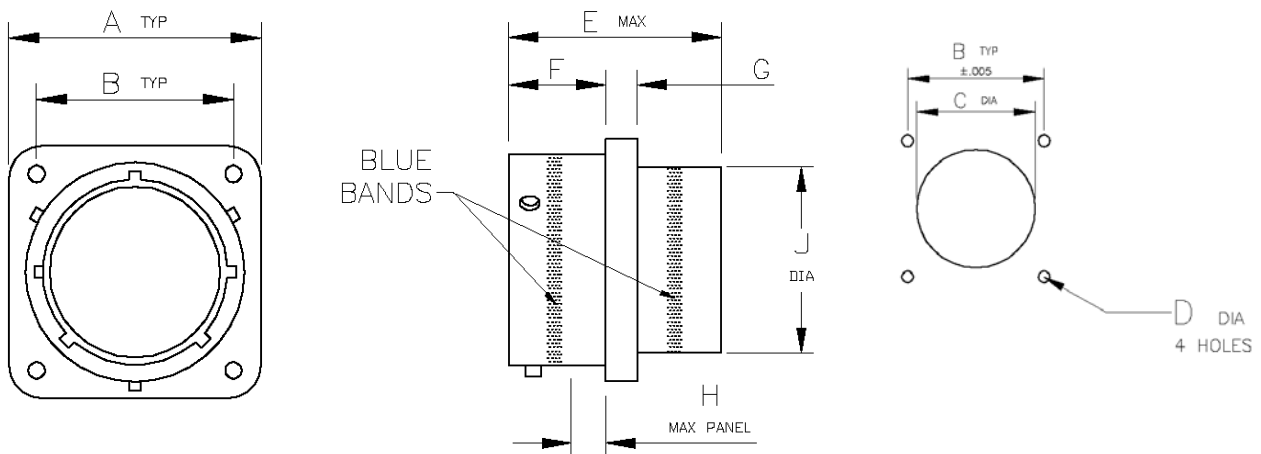
NOTE: BLUE BAND ON CONNECTOR DENOTES REAR RELEASE



SHELL SIZE	A	B THREAD-2A
8	0.782	1/2-20 UNF
10	0.926	5/8-24 UNEF
12	1.043	3/4-20 UNEF
14	1.183	7/8-20 UNEF
16	1.305	1-20 UNEF
18	1.391	1 1/16-18 UNEF
20	1.531	1 3/16-18 UNEF
22	1.656	1 5/16-18 UNEF
24	1.777	1 7/16-18 UNEF

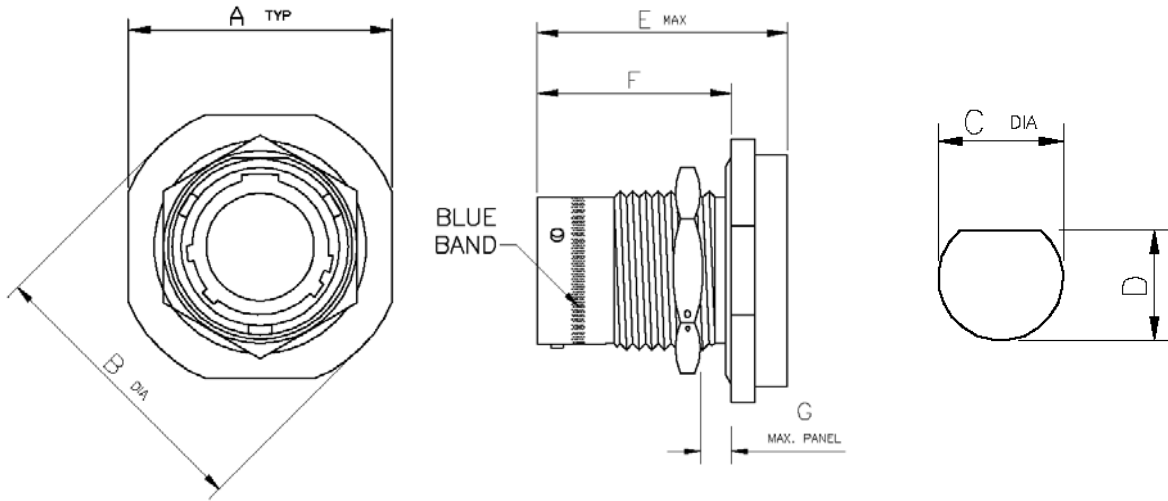
NOTE: BLUE BAND ON CONNECTOR DENOTES REAR RELEASE

Hermetic Seal Box Mount Receptacle



NOTE: BLUE BAND ON CONNECTOR DENOTES REAR RELEASE

SHELL SIZE	A	B	C ±.005	D ±.010	E	F ±.012	G ±.016	H	J ±.003
8	0.828	0.594	0.568	0.120	1.078	0.692	0.062	0.118	0.560
10	0.954	0.719	0.658	0.120	1.078	0.692	0.062	0.118	0.670
12	1.047	0.812	0.864	0.120	1.078	0.692	0.062	0.118	0.779
14	1.141	0.906	0.989	0.120	1.078	0.692	0.062	0.118	0.904
16	1.234	0.969	1.113	0.120	1.078	0.692	0.062	0.118	1.030
18	1.328	1.062	1.238	0.120	1.078	0.692	0.062	0.118	1.154
20	1.453	1.156	1.363	0.120	1.140	0.751	0.094	0.212	1.248
22	1.578	1.250	1.488	0.120	1.140	0.751	0.094	0.212	1.373
24	1.703	1.375	1.615	0.147	1.140	0.751	0.094	0.212	1.498



NOTE: BLUE BAND ON CONNECTOR DENOTES REAR RELEASE

SHELL SIZE	A +.016 -.015	B +.016 -.015	C ±.005	D ±.005	E	F ±.010	G ±.008
8	0.938	1.063	0.572	0.536	1.078	0.877	0.105
10	1.063	1.187	0.697	0.661	1.078	0.877	0.105
12	1.250	1.346	0.895	0.824	1.078	0.877	0.105
14	1.346	1.50	1.010	0.984	1.078	0.877	0.105
16	1.50	1.625	1.135	1.072	1.078	0.877	0.105
18	1.625	1.750	1.260	1.197	1.078	0.877	0.105
20	1.812	1.938	1.385	1.322	1.140	0.906	0.136
22	1.938	2.063	1.510	1.447	1.140	0.906	0.136
24	2.063	2.187	1.635	1.572	1.140	0.906	0.136

MIL-C-26482 SERIES 1 & 2

Insert Configuration & Keyway Position

A plug with a given rotation letter will mate with a receptacle with the same rotation letter. The angle for a give connector is the same whether the connector contains either Pin or Socket contacts. Inserts are not rotated in conjunction with the master key or keyway.

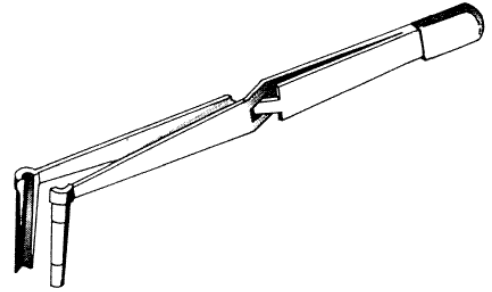
The diagrams below show the view from the front face of the connector. You will find that the keyway angle for the plug and the receptacle are exactly the same with the exception that the direction of the rotation is opposite to allow the connectors to mate.

All insert configurations – MIL-STD-1669 for active designs

Insert	Contact Size				Alternate Insert Position				
	Total	#20	#16	#12	#8	W	X	Y	Z
8-3	3	3				60	210	-	-
8-4	4	4				45	-	-	-
8-98	3	3				60	-	-	-
10-6	6	6				90	-	-	-
10-98	6	6				90	180	240	270
12-3	3		3			-	-	180	-
12-8	8	8				90	112	203	292
12-10	10	10				60	155	270	295
14-4	4			4		45	-	-	-
14-5	5		5			40	92	184	273
14-9	9	5		4		15	90	18	240
14-12	12	8	4			43	90	-	-
14-15	15	14	1			17	110	155	234
14-18	18	18				15	90	180	270
14-19	19	19				30	65	315	
14-22	5	1		4		45			
16-8	8		8			54	152	180	331
16-14	14	8		6		25	78	180	240
16-23	23	22	1			158	270	-	-
16-95	8	6			2	25	90	153	-
16-99	23	21	2			66	156	223	340
18-8	8			8					
18-11	11		11			62	119	241	340
18-30	30	29	1			180	193	285	350
18-32	32	32				85	138	222	265
18-85	13	5		8		45	90	180	240
18-88	8	4			4	12	45	168	202
20-16	16		16			238	318	333	347
20-24	24	24				70	145	215	290
20-27	27	27				72	144	216	288
20-39	39	37	2			63	144	252	333
20-41	41	41				45	126	225	-
20-90	15	3	12						
22-12	12			12					
22-19	19			19					
22-21	21		21			16	135	175	349
22-32	32	32				72	145	215	288
22-34	34	34				62	142	218	298
22-41	41	27	14			39	135	264	-
22-55	55	55				30	142	226	314
22-95	32	26		6		26	180	266	-
22-96	7				7	19	41	-	-
24-19	19			19		30	165	315	-
24-27	27	11		16		45	110	140	225
24-61	61	61				90	180	270	324



MIL-C-26482 Pins, Sockets & Tooling



MIL-C-26482 Series 1

Contact Size	Wire AWG Range	Socket Contact	Pin Contact	Crimp Tool	Die/ Positioner	Extraction Tool	Insertion Tool
20	20-24	M39029/32-259 Red/Green/White	M39029/31-240 Red/Yellow/Black	M22520/1-01 or M22520/2-01	M22520/1-02 Red or M22520/2-02	ATML-1906B Metal Tool	M81969/17-03
16	16-20	M39029/32-247 Red/Yellow/Violet	M390259/31-228 Red/Red/Grey	M22520/1-01	M22520/1-02 Blue	M81969/19-08	M81969/17-04
12	12-14	M39029/32-253 Red/Green/Orange	M39029/31-234 Red/Orange/Yellow	M22520/1-01	M22520/1-02 Yellow	M81969/19-09	M81969/14-04

MIL-C-26482 Series 2

Contact Size	Wire AWG Range	Socket Contact	Pin Contact	Crimp Tool	Die/ Positioner	Extraction Tool	Insertion Tool
20	20-24	M39029/5-115 Brown/Brown/Green	M39029/4-110 Brown/Brown/Black	M22520/1-01 or M22520/2-01	M22520/1-02 Red or M22520/2-02	M81969/8-06 or M81969/14-02	M81969/8-05 or M81969/14-02
16	16-20	M39029/5-116 Brown/Brown/Blue	M390259/4-111 Brown/Brown/Brown	M22520/1-01 or M22520/7-01	M22520/1-02 Blue or M22520/7-03	M81969/8-08 or M81969/14-03	M81969/8-07 or M81969/14-03
12	12-14	M39029/5-118 Brown/Brown/Grey	M39029/4-113 Brown/Brown/Orange	M22520/1-01	M22520/1-02 Yellow	M81969/14-01	M81969/14-01



Contact Rating

Contact Size	Rated Amps	MiliVolt Drop
20	7.5	25
16	22	21
12	35	20

Service Rating

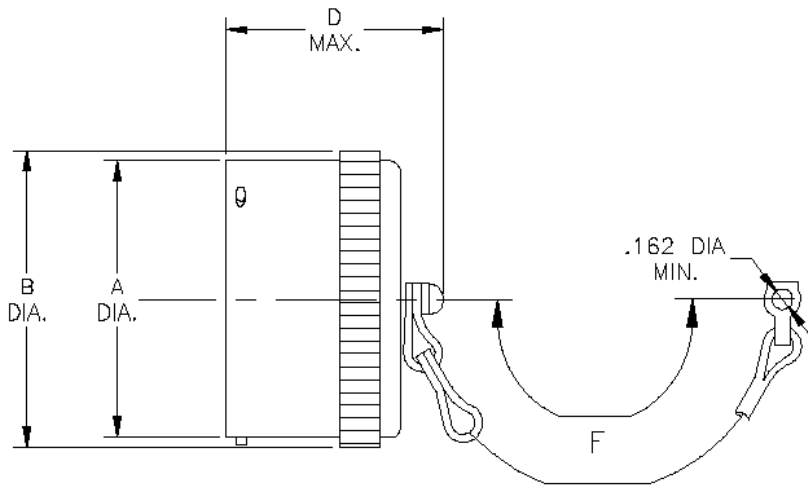
Service Rating	Operating V@Sea Level		Test Voltage AC RMS				Creepage Distance	Mechanical Spacing
	DC	AC RMS	Sea Level	50,000FT	70,000FT	110,000FT		
I	700	500	1500	500	375	200	3/32"	3/64"
II	1250	900	2300	750	500	200	1/8"	5/64"

Note: Peak Voltages, Switching Surges and Transients are to be considered for a safe electrical design.

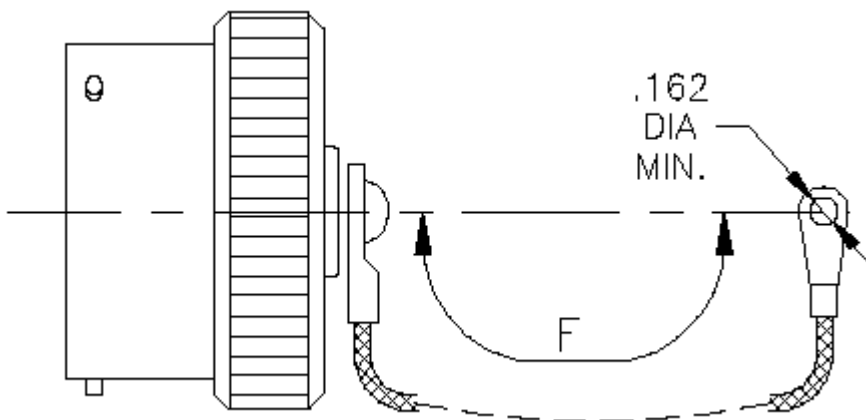
Accessory Quick Reference Guide

MIL-C-26482 Series 1 & 2 Backshells & Caps

MS3180... Metal Dust Cap for Plug

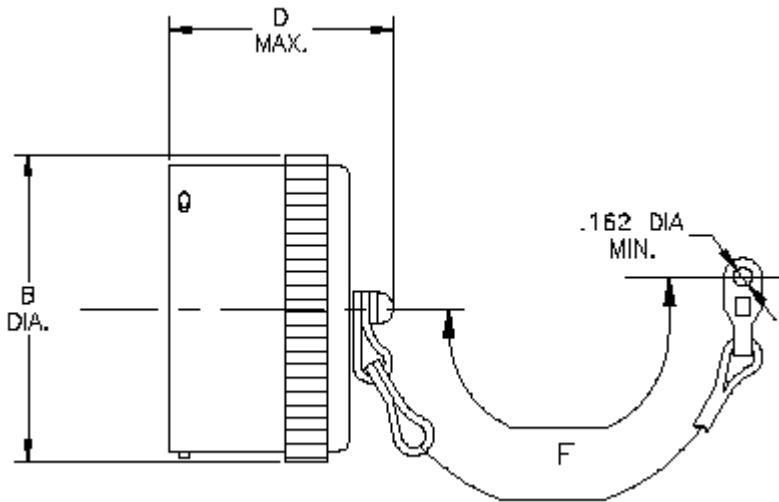


With Chain

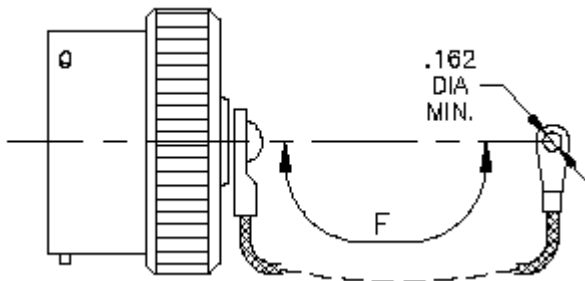


With Rope

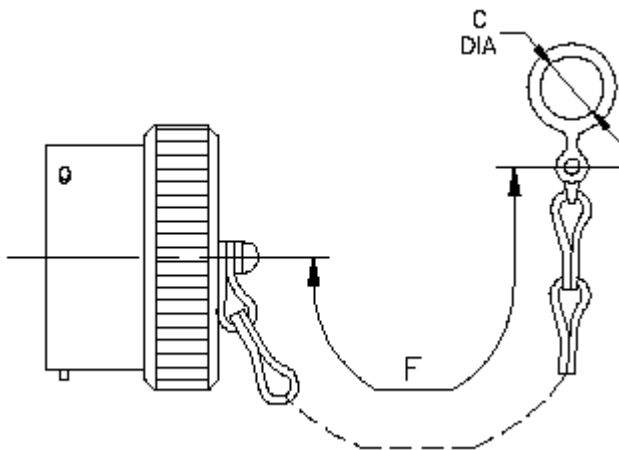
MS3181 Metal Dust Cap for Receptacle



With Chain – Type C



With Stainless Sash – Type R



With Stainless Steel Sash & Chain – Type N

Notes



Notes



Notes



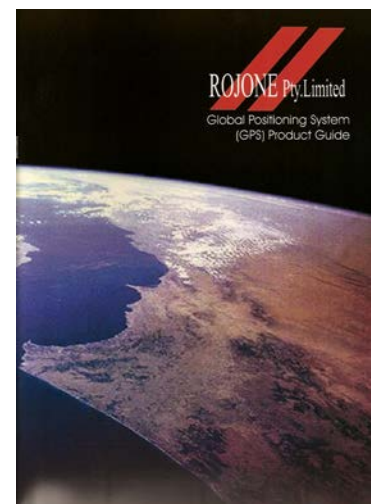
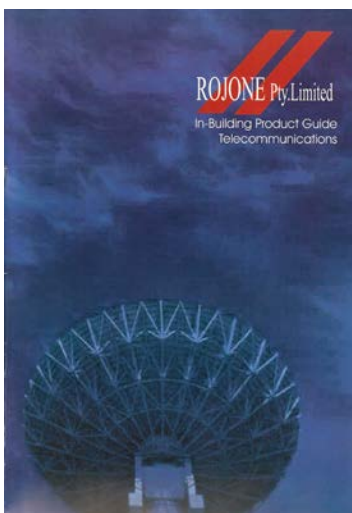
HEAD OFFICE

Address 44 Aero Road, Ingleburn NSW 2565 AUSTRALIA
Telephone +61 2 9829 1555
Facsimile +61 2 9605 8812
Email sales@rojone.com.au
Website www.rojone.com.au

BRANCH OFFICES

Western Australia Warren Boucaut 0407 426 233
warren@rojone.com.au

Please contact us to enquire about our other catalogues



Wireless LAN

PRODUCT INDEX

Antennas	
Antenna Selection Guide	2 & 3
Antennas 2.4 GHz Specs	4
SA2-09001	4
SA2-09006-07	4
EMW24-03005-XXL	5
SA2-09017	5
EMW24-01508-XXL	6
PCW24-07008-BFL-D	7
PCW24-08012-AFL	7
SA2-09005-03	8
SA2-09005-05	8
PCW24-03014-BFL	8
H-VAG2	9
PCW24-01518-BFL, Replaced by SA2-09009-NO	9
FYW24-01518-BFL	10
H-KC4118A	10
H-KC4118A	11
H-KC4118A	11
SAAN4-140010	12
Amplifiers	
SD-Directional Booster Amplifiers	13 & 14
Accessories	
Lightning Surge Arrester	15
Antenna Splitter	16
Attenuators	16
Adaptors	16
DC Feed Module	17
X Band Coupler/Diplexer	18
Cable Assemblies and Connectors	19 - 21
Antennas 5 GHz Specs	
RO220-112	22
RO220-116	22
RO220-149	23
SAAN4-200010	24
SAAN4-200020	24
SA2-20028	25
H-BC7286	25
H-BC7286	26
H-BC7286	26
H-BC7286	26
H-BC7286	27
H-BC7286	27
Dual Band Antennas	
SAAN4-220070	28
SAAN4-220080	29
SAAN4-220100/SAAN4-220080	30

Adelaide Perth Tel: 08 8340 4001 Tel: 08 9502 9606
 Updated July 2006

ROJONE Pty. Limited • www.rojone.com.au
 Tel: 02 9829 1555 • Fax: 02 9605 8812 • e-mail: sales@rojone.com.au

