



High Performance Low VSWR 5W Termination

(Model: ROJ-LD111-01W)

Description

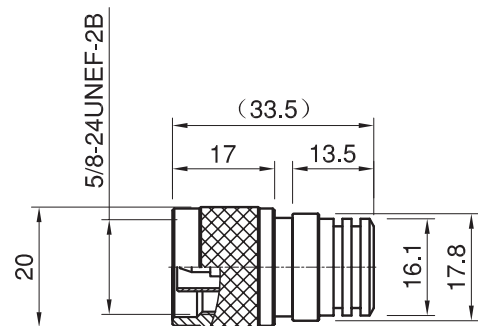
ROJ-LD111-01W is a low VSWR, 5 Watts, 50 Ohm RF termination, which is specially designed for high performance professional RF system up to 3GHz with typical return loss less than -30dB. The usable frequency range of this device is 0- 6GHz with typical return loss less than -20dB.

It is an ideal choice for high directivity directional couplers, high isolation dividers and general RF applications.



Specifications

Frequency Range	0-6 GHz
RF Input Power	5 Watts CW; 50 Watts Peak @ 10 μ S
Return Loss	<-30dB typ @ 0-3GHz <-20dB typ @ 3-6GHz
Op. Temperature	-30°C to +60°C
Connector	N Male
Impedance	50 ohm



Test Results

Typical Return Loss Test Result from 0-6GHz

