



## ***Pico Cell Patch Antenna***

***(Model: PCD18-PCW24 series)***

### ***Applications***

---

- ❖ **Extend Cellular PCS/Wireless Coverage indoors**
- ❖ **Extend PBX/Wireless PBX within targeted zones**
- ❖ **Provide Voice/Data transfer**
- ❖ **Deploy in wireless local loop, ISM and WLAN applications**



### ***Features***

---

- ❖ **Volume injection modeling to attain Low Cost**
- ❖ **Indoor or Outdoor Use**
- ❖ **Weatherproof and Corrosion Resistant**
- ❖ **Fast and Easy Installation & Included Swivel Mount**
- ❖ **Choice of Polarisation Frequency**
- ❖ **Articulating designing achieved high performance**

### ***Description***

---

Pico Cell antennas furnish high performance in an attractive package that discretely blends into indoor and outdoor environments.

Our unique pivot mount swivel is designed to steer the main lobe horizontally, and locks to enable precise positioning. Our circularly polarised models eliminate the need for spatial diversity antennas and help overcome performance-degrading multi-path effects.

We can incorporate customer requests to modify the connector options, tilt positioning, and mounting options.



## Specifications

## PCD18-PCW24 series

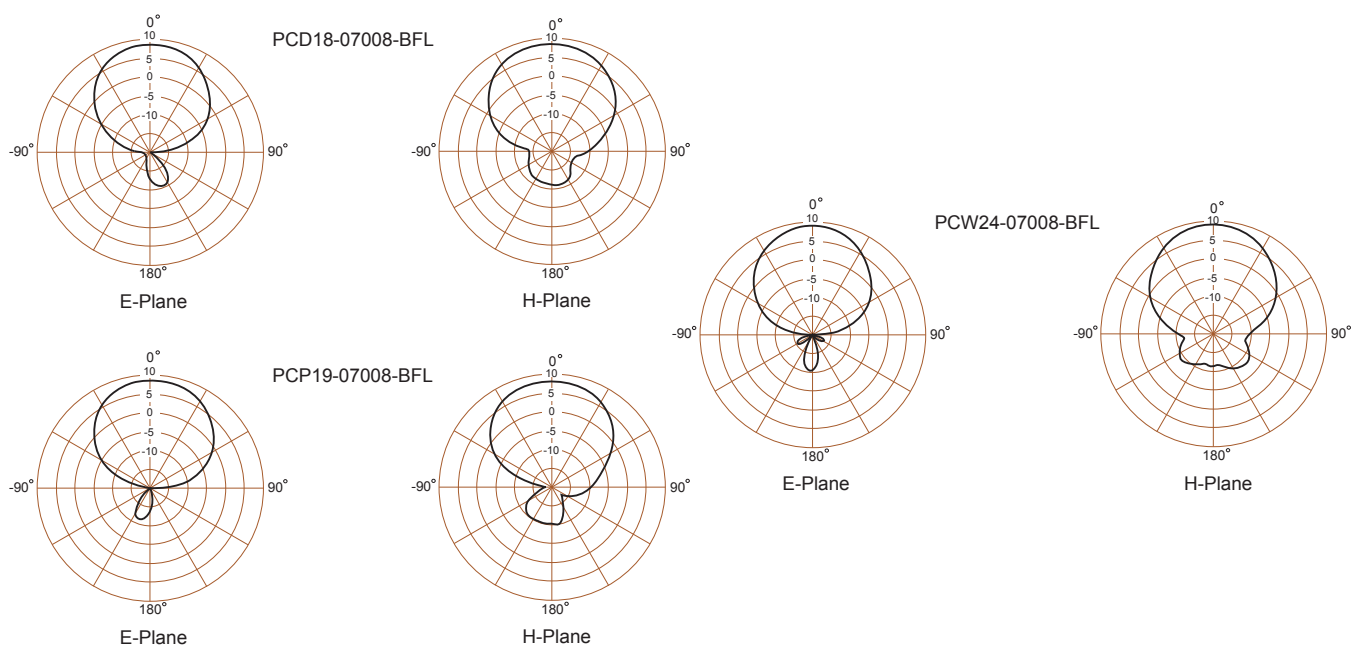
### General Specifications

<b>Power Handling</b>	50 W (cw)
<b>Polarisation</b>	Linear
<b>Impedance</b>	50 Ohms
<b>Connectors</b>	Various types available on request
<b>Mounting</b>	Mast mount kits available on request
<b>Cable</b>	RG-58/U, 300mm

### Electrical Specifications

Model Number	Freq. Range (MHz)	Gain (dBi)	3dB Beamwidth, deg.		F/B/dB	VSWR	Connector
			Az/H-plane	EI/E-plane			
<b>PCD18-07008-AML</b>	1710-1880	8	70	65	12	1.5:1	SMA Male
<b>PCD18-07008-BFL</b>	1710-1880	8	70	65	12	1.5:1	N Female
<b>PCP19-07008-AML</b>	1850-1990	8	70	65	12	1.5:1	SMA Male
<b>PCP19-07008-BFL</b>	1850-1990	8	70	65	12	1.5:1	N Female
<b>PCW24-07008-AML</b>	2300-2500	8.5	70	65	12	1.5:1	SMA Male
<b>PCW24-07008-BFL</b>	2300-2500	8.5	70	65	12	1.5:1	N Female

### Radiation Patterns

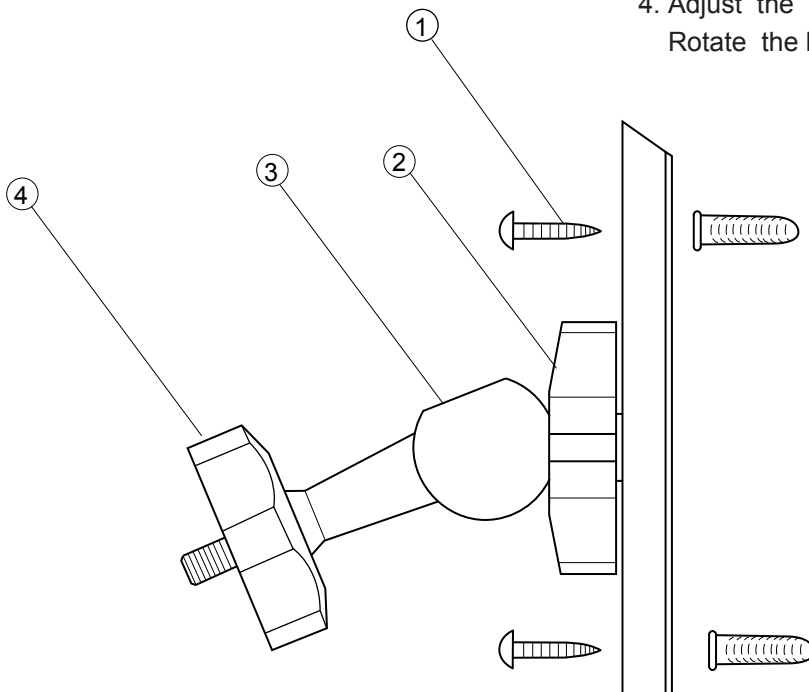




## Mounting Configuration

## PCD18-PCW24 series

1. Insert the tapping screw ① to fix the whole set of universal joint on the wall
2. Rotate the mounting base of the antenna to connect antenna body and universal joint
3. Fix the mounting base by rotate the rotating handle ④
4. Adjust the ball joint ③ to the convenient angle  
Rotate the handle to fix the ball joint ③



- ① Taping Screw
- ② Rotate Handle
- ③ Ball Joint
- ④ Rotating Handle