



## 3.5 GHz Omni Directional Antenna

**Model: A-960-35-17R**

### Description

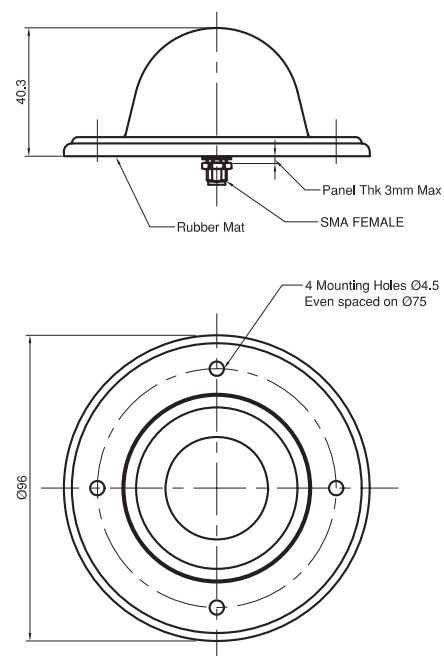
This Omni directional Antenna is designed for Digital Data Mobile Communication Systems, particularly WiMAX (Pakistan), specifically optimised for 3.5 GHz in both pattern and VSWR.

The unit is suitable for both Mobile and Base Station applications with gain measured at better than 4.0 dBi. See associated test plots.



### Specifications

<b>Operation Frequency</b>	3500 MHz +/- 50 MHz
<b>RF Gain</b>	4.0 dBi
<b>Radiation Pattern</b>	Omni (see patterns)
<b>Polarisation</b>	Vertical Linear
<b>3dB Beamwidth - Horizontal</b>	360°
<b>3dB Beamwidth - Vertical</b>	40°
<b>Downtilt</b>	20°
<b>Impedance</b>	50 Ohm
<b>Input VSWR</b>	< 1.3:1
<b>Input RF Power</b>	30w max.
<b>Operation Temperature</b>	-40° to +80°C
<b>Humidity</b>	100%
<b>RF Connector</b>	SMA-F (A-960-35-17S) SMA F Rev (A-960-35-17J)
<b>Size</b>	96 x 41mm (D x H)
<b>Weight</b>	0.1 kg
<b>Radome Material</b>	ABS White (A-960-35-17S-W) ABS Black (A-960-35-17S-B)



### Test Results

