



2.3 GHz Omni Directional Antenna

Model: A-960-23-17R

Description

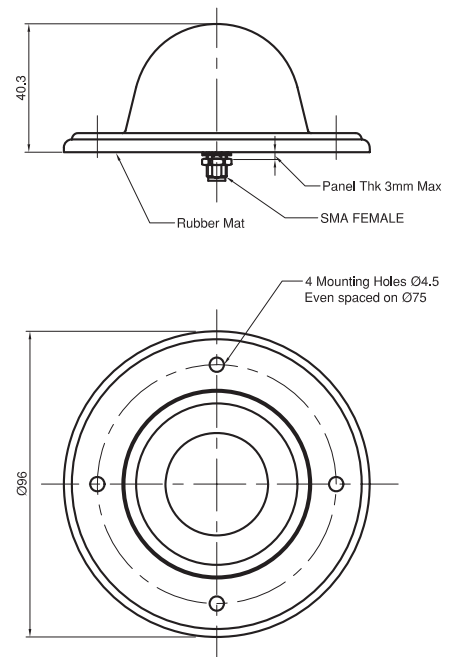
This Omni directional Antenna is designed for Digital Data Mobile Communication Systems, particularly WiMAX (USA), specifically optimised for 2.3 GHz in both pattern and VSWR.

The unit is suitable for both Mobile and Base Station applications with gain measured at better than 4.0 dBi. See associated test plots.



Specifications

Operation Frequency	2300 MHz +/- 50 MHz
RF Gain	4.0 dBi
Radiation Pattern	Omni (see patterns)
Polarisation	Vertical Linear
3dB Beamwidth - Horizontal	360°
3dB Beamwidth - Vertical	40°
Downtilt	20°
Impedance	50 Ohm
Input VSWR	< 1.3:1
Input RF Power	30w max.
Operation Temperature	-40° to +80°C
Humidity	100%
RF Connector	SMA-F (A-960-23-17S) SMA F Rev (A-960-23-17J)
Size	96 x 41mm (D x H)
Weight	0.1 kg
Radome Material	ABS White (A-960-23-17S-W) ABS Black (A-960-23-17S-B)



Test Results

