



1.8 GHz Omni Directional Antenna

Model: A-960-18-13C

Description

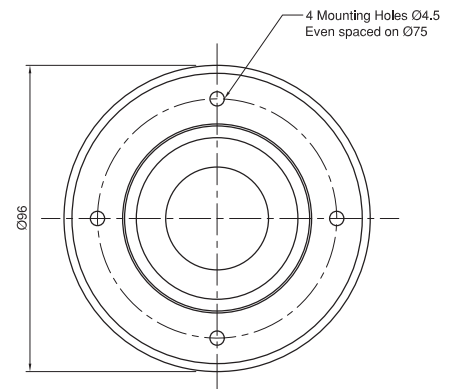
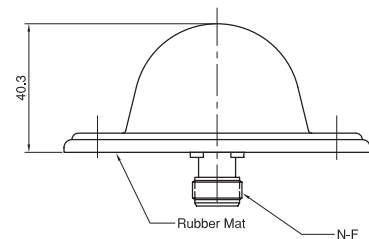
The A-960 Series is a robust, low profile, high impact design antenna, the ideal choice for vehicle/bus top mounting applications, designed for quality digital data 1.8 GHz mobile communication systems. The same antenna has been used in numerous fixed applications calling for vandal resistant 1.8 GHz antennas for public installations.

An optional mounting bracket (A-795-SS) is available for wall mounting applications.



Specifications

Operation Frequency	1800 MHz
RF Gain	3 dBi
Radiation Pattern	Omni
Polarisation	Vertical Linear
3dB Beamwidth - Horizontal	360°
3dB Beamwidth - Vertical	40°
Downtilt	20°
Impedance	50 Ohm
Input VSWR	< 1.3:1
Input RF Power	30w max.
Operation Temperature	-40° to +80°C
Humidity	100%
RF Connector	N Female (A-960-13C)
Size	96 x 41mm (D x H)
Weight	0.1 kg
Radome Material	ABS White (A-960-18-13R-W) ABS Black (A-960-18-13R-B)



Test Results

