



# Omni-Directional Antenna for 3500-3800 MHz

(Model: SAA05-121020)

## Specifications

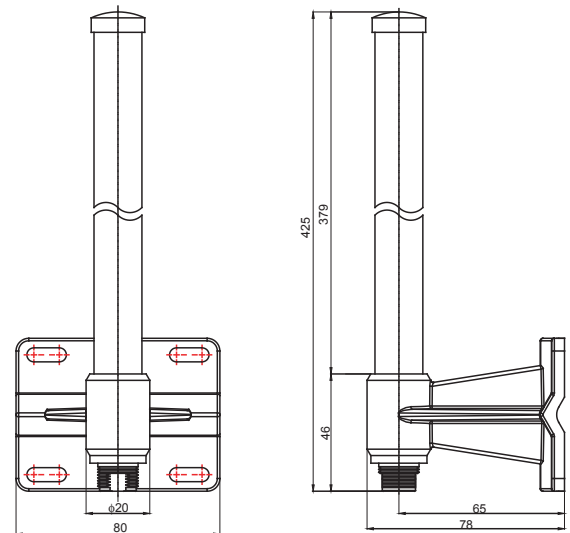
### Electrical Specifications

Frequency Range	3500-3800 MHz
Gain	8 dBi
VSWR	2.0:1 max
Polarisation	Linear, vertical
HPBW / horizontal	360°
HPBW / vertical	13°
Downtilt	0°
Power handling	20W (cw)
Impedance	50 Ohms
Connector	N Female

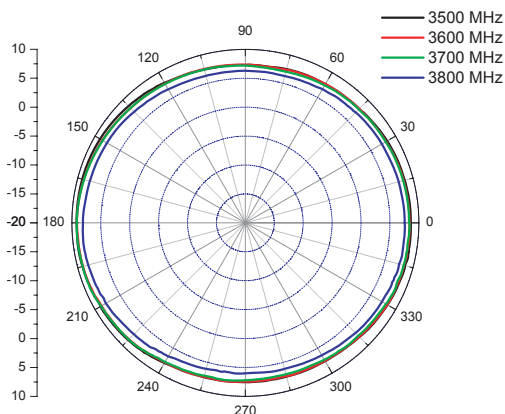


### Environmental & Mechanical Specifications

Survival wind speed	216 km/h
Temperature	-40°C to +80°C
Humidity	95% @ 55°C
Radome Colour	Grey-white
Radome Material	Fibreglass, UV Resistant
Weight	0.25 kg
Dimensions	425 x 80 x 78 mm



H-plane Co-polarisation Pattern



V-plane Co-polarisation Pattern

