



## High Gain Directional Panel Antenna for 2.4 ISM Band

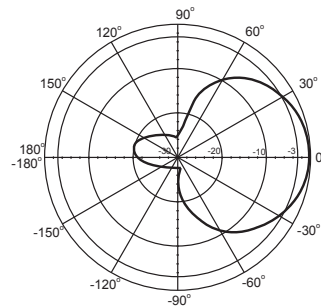
(Model: PCW24-08006-AFL/GFL)



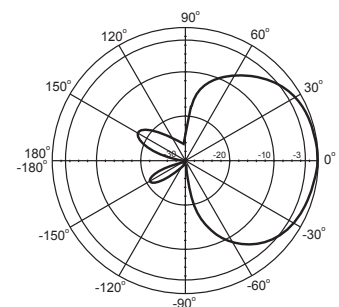
### Specifications

#### Electrical Specifications

Frequency Range	2400-2500 MHz
Gain	6 dBi
VSWR	1.5:1 max
Polarisation	Linear, vertical
HPBW / horizontal	80°
HPBW / vertical	23°
Front-to-back ratio	11.5 dB
Downtilt	0°
Power handling	50W (cw)
Impedance	50 Ohms
PCW24-01518-AML	MMCX male
Connector Cable	RG-316/u; 30cm



Vertical



Horizontal

#### Environmental & Mechanical Specifications

Survival wind speed	180 km/h
Temperature	-40°C to +80°C
Humidity	100% @ 25°C
Lightning Protection	DC Ground
Radome Colour	Grey-white
Radome Material	ABS/UV Resistant
Weight	55g
Dimensions	80 x 76 x 12.5 mm <sup>3</sup>

