



Low IM Lightning Protector 400-520 MHz

(Model: AMA-181)

Features

- ❖ Multi-Strike Capability
- ❖ High Reliability
- ❖ Low Insertion Loss
- ❖ Low Residual Voltage
- ❖ High RF Through Power
- ❖ Low VSWR/Return Loss
- ❖ Low PIM3
- ❖ High Discharge Capacity
- ❖ DC Grounded



Description

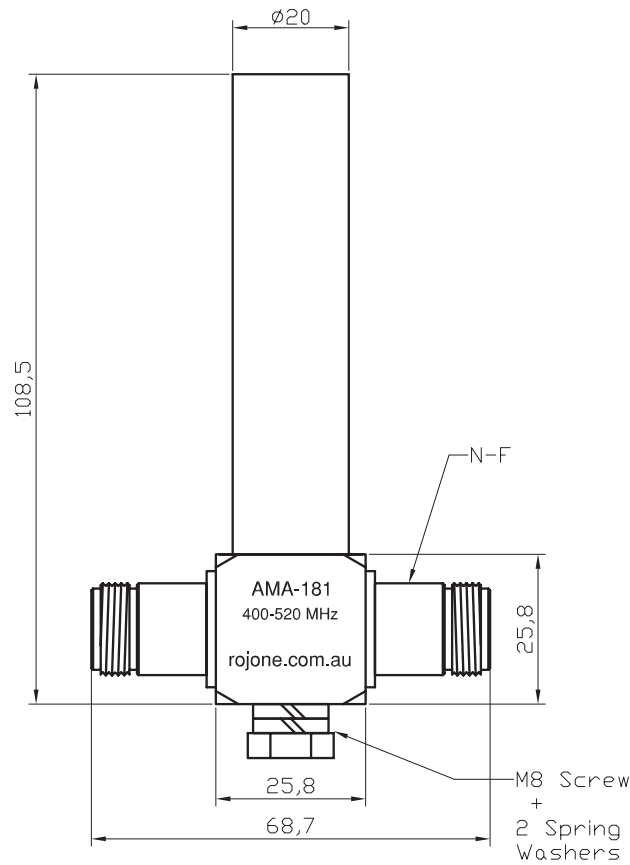
AMA-181 is a low PIM3 lightning protector, specially designed for high power professional RF TX/RX antenna systems working in 400-520MHz band, which will provide a reliable protection to the systems. It's an ideal choice for UHF radio system applications.

Specification

Frequency	400-520 MHz
Input RF Power	500W maximum
Discharge Capacity	30KA @ 8/20uS wave
Residual Voltage	< 15KV/uS
RF Connectors	N Female
PIM3	< -155dBC @ 43dBm x 2
DC Input/Output	DC Grounded
Input VSWR	< 1.25:1
Insertion Loss	< 0.1 dB
Operating Temperature	-40°C to +60°C
Weight	390g



Mechanical Diagram AMA-181



Test Results

