

REVISIONS		
ISS	ZONE	DESCRIPTION/PER REQUEST/DATE

3rd ANGLE PROJECTION THIS DOCUMENT AND THE DESIGN SHOWN THEREON IS THE PROPERTY OF ROJONE PTY LTD AND MUST NOT BE SOLD, LENT, GIVEN AWAY, COPIED, REPRODUCED OR OTHERWISE DIVULGED TO ANY THIRD PARTY OR USED FOR MANUFACTURE, OR ANY OTHER PURPOSE WITHOUT DIRECT WRITTEN PERMISSION OF ROJONE PTY LTD. DO NOT SCALE

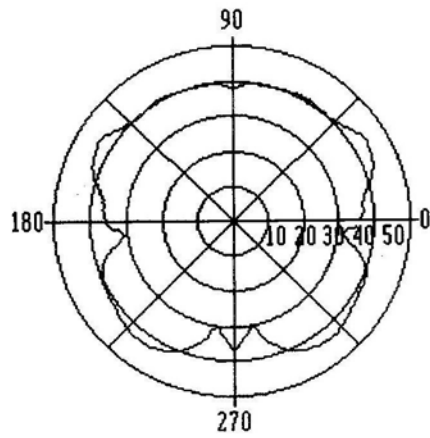
REVISION	DATE	CHECKED
A	2010-09-14	B. G.

SPECIFICATION

B/W: 100MHz@-15dB R/C
 R/L: -18dB (typ) 15dB Worst
 Freq Center: 2.35 GHz
 Gain: 2 dBi (Typ)
 3 dBi W/H Ground > 100x100mm
 Connector: N Male
 Style: Ground Independent dipole
 Suitable for external or internal use
 IP67 rating when mated

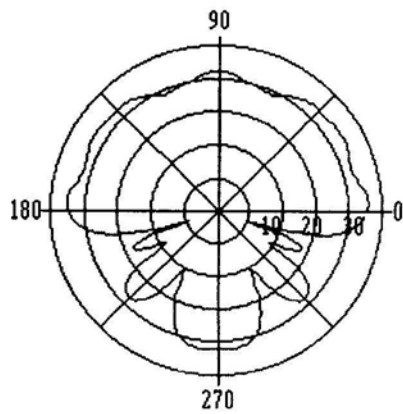
UNLESS OTHERWISE STATED ALL DIMENSIONS ARE IN MILLIMETRES (mm) TOLERANCE: LINEAR ±0.1 ANGULAR ±1° REMOVE ALL BURRS AND SHARP EDGES

	ROJONE PTY LTD ACN 002691241 44 AERO RD INGLEBURN 2565 SYDNEY, AUSTRALIA Ph: (612) 9829 1555 Fax: (612) 9605 8812 Web: www.rojone.com.au E-mail: sales@rojone.com.au		TITLE 2.35GHz DIPOLE ANTENNA A-900-23-13A	
	MATERIAL AS PART		DRAWN Y. GU	
FINISH AS PART		CHECKED B. G.		SCALE 1:1
APPROVED B. G.		FILENAME 009001001277issa.DWG		SHEET 1 OF 1 A4
DRWG No: 009001001277			12	



Magnitude (dB) Vs Elevation (Deg)

2 dBi Gain @ No Ground Plane Full Elevation at 2.35GHz



/ 0 Deg Az

Magnitude (dB) Vs Elevation (Deg)

3 dBi Gain @ With Ground Plane at 2.35GHz