

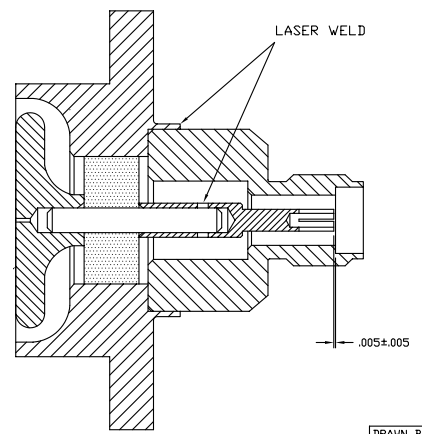
The new leader in custom, high reliability microwave Feedthru's

- UHV Capability
- Precision Microwave design
- High Radiation Compatibility
- Crack Free high reliability glass seal designs
- Extreme environment designs
- Ideal for demanding High Energy Physics and Satellite test chambers



Times Microwave Systems introduces a new capability in ultra-high vacuum and high reliability hermetic Feedthru's. Based on twenty plus years of experience with innovative and improved glass to metal seal technology, our latest proprietary custom designs set a new standard for quality and high performance in the most demanding Feedthru and Beam position Monitor applications.

- Wide range of shell materials including stainless, cupro-nickel, Inconel and most other ferrous and non-ferrous alloys.
- SMA, N-type, TNC and most microwave interfaces.
- Extreme high power capability.
- 10^{-13} stdcc he/SEC Vacuum retention
- VSWR 1.15:1 @ 18GHz
- Microwave, capacitance and high power custom modeling capability.
- We understand and deliver against the toughest microwave and hi-reliability requirements for your Feedthru needs.



Australian Representatives
ROJONE, PTY LTD.
 Tel: 02 9829 1555
 E: sales@rojone.com.au
 www.rojone.com.au