

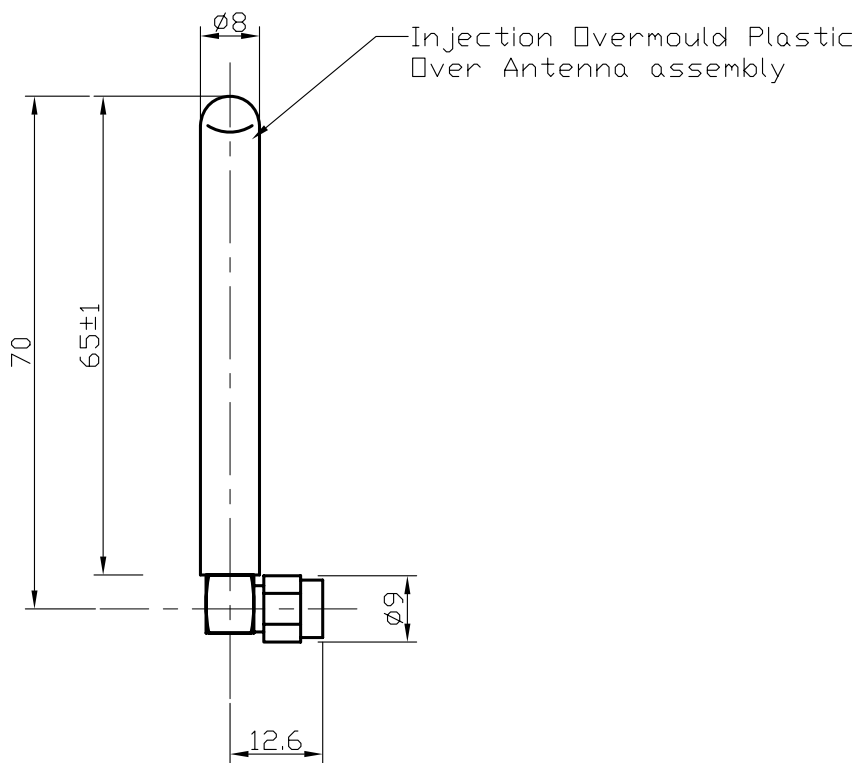
3rd ANGLE PROJECTION

THIS DOCUMENT AND THE DESIGN SHOWN THEREON IS THE PROPERTY OF ROJONE PTY LTD AND MUST NOT BE SOLD, LENT, GIVEN AWAY, COPIED, REPRODUCED OR OTHERWISE DIVULGED TO ANY THIRD PARTY OR USED FOR MANUFACTURE, OR ANY OTHER PURPOSE WITHOUT DIRECT WRITTEN PERMISSION OF ROJONE PTY LTD.

DO NOT SCALE

REVISION	DATE	CHECKED
A	22-10-2004	B. G.

SPEC for A-435-18B



FREQUENCY: 900-960MHz
GAIN: UNITY
TYPE: 1/4 WAVE
BANDWIDTH: 50MHz at < 1.5 : 1
 80MHz at < 2 : 1
POWER RATING: 50 WATTS at 900MHz
COLOR: White
WHIP: TINNED COPPER
BASE STYLE: CONNECTORISED
CONNECTOR: SMA RA MALE

NOTE:

VSWR SPECIFICATIONS WILL VARY ACCORDING TO MATING CONNECTOR HEIGHT AND SIZE OF GROUND PLANE - NEEDS MINIMUM 60mm WIDE GROUND

UNLESS OTHERWISE STATED ALL DIMENSIONS ARE IN MILLIMETRES (mm) TOLERANCE: LINEAR ±0.1 ANGULAR ±1° REMOVE ALL BURRS AND SHARP EDGES

	ROJONE PTY LTD ACN 002691241 81 AERO RD INGLEBURN 2565 SYDNEY, AUSTRALIA Ph: (612) 9829 1555 Fax: (612) 9805 8812 Web: www.rojone.com.au E-mail: sales@rojone.com.au		TITLE INTERFACE DRAWING FOR ANTENNA A-435-18B 900MHZ	
	MATERIAL --		DRAWN Y. GU	
FINISH --		CHECKED B. G.		DRWG No: 009001001243
		APPROVED B. G.		SCALE 1:1 SHEET 1 OF 1
				FILENAME 009001001243ISSA.DWG

A4