

Coaxial Terminations

MINIATURE COAXIAL TERMINATIONS SMP, DIN 1.0/2.3, QMA

0.5 WATT SMP

Part Number	Power	Frequency range (GHz)	V.S.W.R. (MAX)			Impedance (Ω)	Type	Fig.
	peak (W)		DC-18	18-26.5	26.5-40			
R404 260 000	100	DC - 40	1.20	1.35	1.70	50 \pm 5%	M	1
R404 262 000	100	DC - 40	1.20	1.35	1.70	50 \pm 5%	F	2

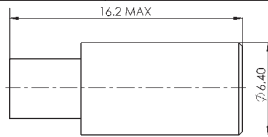


Fig. 1

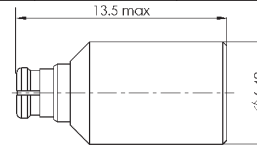
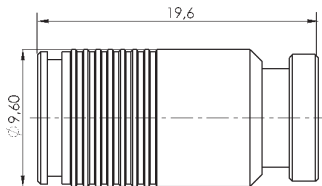


Fig. 2

1 WATT DIN 1.0/2.3

Part Number	Power	Frequency range (GHz)	V.S.W.R. (MAX)	Impedance (Ω)	Type
	peak (W)		DC-2.5		
R404 144 000	100	DC-2.5	1.15	50 \pm 5%	M

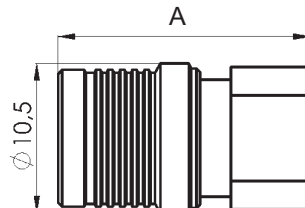


1 - 3 WATTS QMA

Part Number	Power		Frequency range (GHz)	V.S.W.R. (MAX)			Impedance (Ω)	Type	Obs.
	avg. (W)	peak (W)		DC-1	1-2.5	1-4			
R404 114 000	1	100	DC-4	1.08	-	1.20	50 \pm 5%	M	-
R404 114 120	1	100	DC-4	1.08	-	1.20	50 \pm 5%	M	1
R404 114 121	1	100	DC-4	1.08	-	1.20	50 \pm 5%	M	2
R404 114 250	3	500	DC-2.5	-	1.10	-	50 \pm 5%	M	-

OBS :1) With 2.75" (70 mm) Bead Chain

2) With 2.75" (70 mm) Cord



Part Number	A
R 404 114 000	17,7
R 404 114 120	17,7
R 404 114 121	17,7
R 404 114 250	25

Technical data sheet are available under the www.radiall.com Web site Select "Find a part number", enter the part number then "Search"



Australian Representatives - **ROJONE, PTY LTD.**
Tel: 02 9829 1555 E: sales@rojone.com.au www.rojone.com.au

Coaxial Terminations

MINIATURE COAXIAL TERMINATIONS SMA 2.9, SMA

0.5 WATTS SMA 2.9

Part Number	Power		Frequency range (GHz)	V.S.W.R. (MAX)						Imp. (Ω)	Type	Obs
	avg. (W)	peak (W)		DC-1	1-4	4-8	8-12.4	12.4-18	18-26.5			
R404 280 000	0.5	100	DC-40	1.35						50±5%	M	1
R404 285 000	0.5	100	DC-40	1.35						50±5%	F	1

1 - 2 WATTS SMA

Part Number	Power		Frequency range (GHz)	V.S.W.R. (MAX)						Imp. (Ω)	Type	Obs
	avg. (W)	peak (W)		DC-1	1-4	4-8	8-12.4	12.4-18	18-26.5			
R404 101 000	1	100	DC- 4	1.08	1.20					50±5%	M	
R404 101 120	1	100	DC- 4	1.08	1.20					50±5%	M	3
R404 102 000	1	100	DC- 4	1.08	1.20					50±5%	F	
R404 102 120	1	100	DC- 4	1.08	1.20					50±5%	F	3
R404 212 000	1	100	DC-18	1.08		1.12	1.16	1.20		50±5%	M	2
R404 212 120	1	100	DC-18	1.08		1.12	1.16	1.20		50±5%	M	2-4
R404 212 122	1	100	DC-18	1.08		1.12	1.16	1.20		50±5%	M	2-5
R404 210 000	2	100	DC-18	1.10		1.18	1.25			50±5%	M	
R404 210 120	2	100	DC-18	1.10		1.18	1.25			50±5%	M	4
R404 210 161	2	100	DC-18	1.10		1.18	1.25			50±2%	M	
R404 215 000	2	100	DC-18	1.10		1.18	1.25	1.40		50±5%	F	
R404 213 000	2	100	DC-26.5	1.05		1.10		1.20	1.30	50±5%	M	
R404 219 000	2	100	DC-26.5	1.05		1.15		1.20	1.30	50±5%	F	

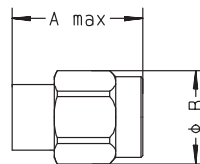
OBS :1) SMA 2.9 connector 100% Compatible with K® connector

2) Type SMA connector, 100 Connect-Disconnect cycles maximum.
Connector mate non destructively with SMA per MIL C 39012

3) With 2.75" (70 mm) Bead Chain

4) With 2.75" (70 mm) Cord

5) With 3.54" (90 mm) Bead Chain



Part Number	A inch (mm)	B inch (mm)	Weight (g)
R404 101 000	.36" (9.30)	.35" (9.0)	3
R404 101 120	.49" (12.5)		8
R404 102 000	.39" (10.0)		3
R404 102 120	.51" (13.0)		8
R404 210 000			3
R404 210 120	.56" (14.3)		8
R404 210 161	.51" (13.0)		3

Part Number	A inch (mm)	B inch (mm)	Weight (g)
R404 212 000	.36" (9.30)	.35" (9.0)	3
R404 212 120	.44" (11.2)		8
R404 212 122			5
R404 213 000	.65" (16.5)		5
R404 215 000	.45" (11.5)	.31" (8.0)	2
R404 219 000	.59" (15.0)	.30" (7.6)	4
R404 280 000	.72" (18.4)	.35" (9.0)	5
R404 285 000	.76" (19.3)	.30" (7.6)	4

K® : Trade Mark of WILTRON

Technical data sheet are available under the www.radiall.com Web site Select "Find a part number", enter the part number then "Search"

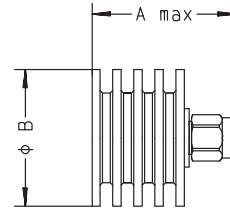


Australian Representatives - **ROJONE, PTY LTD.**

Tel: 02 9829 1555 E: sales@rojone.com.au www.rojone.com.au

6 - 12 WATTS MEDIUM POWER

Part Number	Power		Frequency range (GHz)	V.S.W.R. (MAX)				Imp. (Ω)	Type
	avg. (W)	peak (W)		DC-4	4-8	8-12.4	12.4-18		
R404 518 000	6	4000	DC-12.4	1.10	1.20	1.30		50 \pm 5%	M
R404 518 500	6	4000	DC-12.4	1.10	1.20	1.30		50 \pm 5%	F
R404 523 000	6	300	DC-18	1.15	1.20	1.25	1.30	50 \pm 5%	M
R404 523 500	6	300	DC-18	1.15	1.20	1.25	1.30	50 \pm 5%	F
R404 568 000	12	4000	DC-12.4	1.10	1.20	1.30		50 \pm 5%	M
R404 568 500	12	4000	DC-12.4	1.10	1.20	1.30		50 \pm 5%	F
R404 573 000	12	300	DC-18	1.15	1.20	1.25	1.30	50 \pm 5%	M
R404 573 500	12	300	DC-18	1.15	1.20	1.25	1.30	50 \pm 5%	F



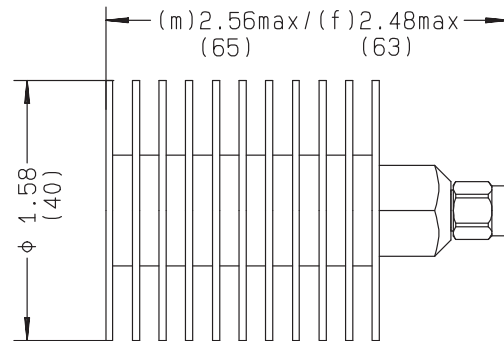
Part Number	A inch (mm)	B inch (mm)	Weight (g)
R404 518 000	1.22" (31)	1.02 (26)	22
R404 518 500	1.08" (27.5)		
R404 523 000	1.85" (47)	1.02 (26)	45
R404 523 500	1.80" (45.8)		

Part Number	A inch (mm)	B inch (mm)	Weight (g)
R404 568 000	1.73" (44)	1.38" (35)	62
R404 568 500	1.59" (40.5)		
R404 573 000	2.05" (52.2)	1.38" (35)	75
R404 573 500	2.00" (51)		

Technical data sheet are available under the www.radiall.com Web site Select "Find a part number", enter the part number then "Search"

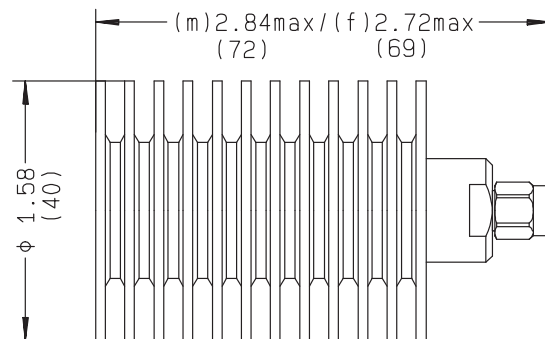
20 WATTS MEDIUM POWER

Part Number	Power peak (W)	Frequency range (GHz)	V.S.W.R. (MAX)				Imp. (Ω)	Type	Weight (g)
			DC-4	4-8	8-12.4	12.4-18			
R404 584 000	300	DC-12.4	1.15	1.20	1.25		50 \pm 5%	M	80
R404 584 500	300	DC-12.4	1.15	1.20	1.25		50 \pm 5%	F	80
R404 589 000	300	DC-18	1.20		1.25	1.35	50 \pm 5%	M	80
R404 589 500	300	DC-18	1.20		1.25	1.35	50 \pm 5%	F	80



30 WATTS MEDIUM POWER

Part Number	Power peak (W)	Frequency range (GHz)	V.S.W.R. (MAX)		Imp. (Ω)	Type	Weight (g)
			DC-2	2-4			
R404 834 000	5000	DC-4	1.10	1.20	50 \pm 5%	M	125
R404 835 000	5000	DC-4	1.10	1.20	50 \pm 5%	F	125

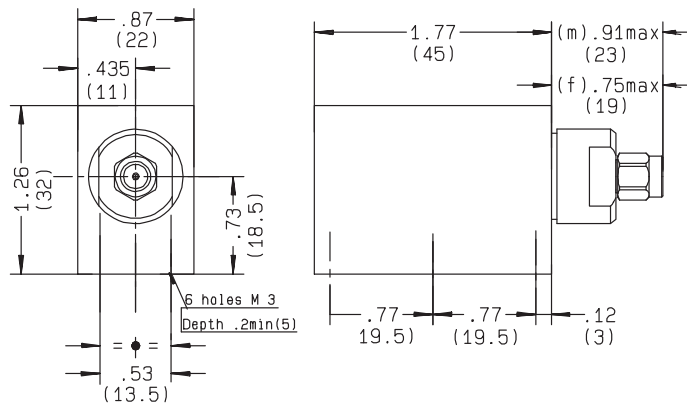


Technical data sheet are available under the www.radiall.com Web site Select "Find a part number", enter the part number then "Search"

50 WATTS MEDIUM POWER without cooling fins

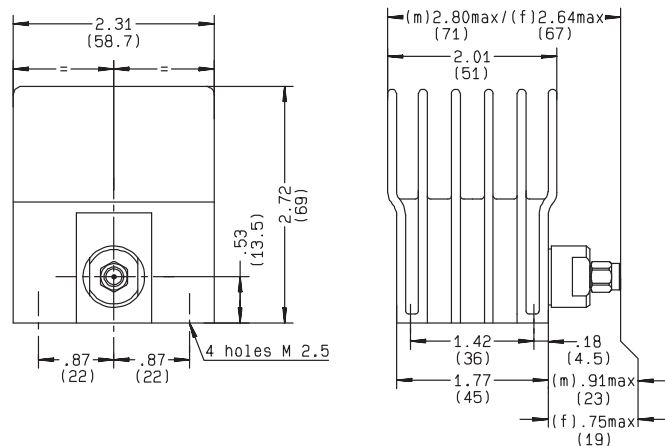
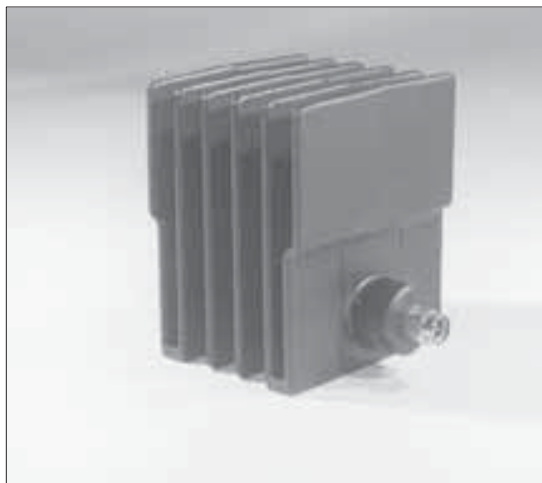
Part Number	Power peak (W)	Frequency range (GHz)	V.S.W.R. (MAX)		Impedance (Ω)	Type	Weight (g)
			DC-2	2-4			
R404 874 000	5000	DC-4	1.10	1.20	50 \pm 5%	M	140
R404 875 000	5000	DC-4	1.10	1.20	50 \pm 5%	F	140

NOTA : This termination can be used with conduction cooling (50 Watts) or convection cooling (25 Watts).
For conduction cooling a 78 sq. in. plate x $1/8$ " (500 cm² x 3 mm) min. is required.



50 WATTS MEDIUM POWER with cooling fins

Part Number	Power peak (W)	Frequency range (GHz)	V.S.W.R. (MAX)		Impedance (Ω)	Type	Weight (g)
			DC-2	2-4			
R404 844 000	5000	DC-4	1.10	1.20	50 \pm 5%	M	320
R404 845 000	5000	DC-4	1.10	1.20	50 \pm 5%	F	320



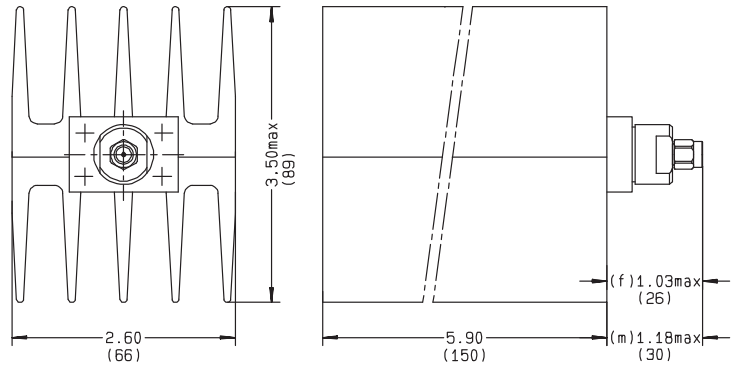
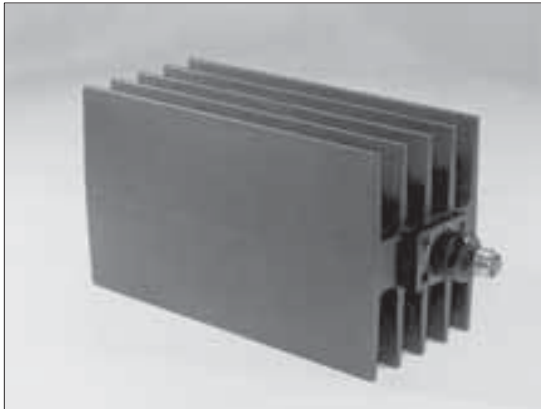
Technical data sheet are available under the www.radiall.com Web site Select "Find a part number", enter the part number then "Search"

Coaxial Terminations

MINIATURE COAXIAL TERMINATIONS SMA

100 WATTS HIGH POWER

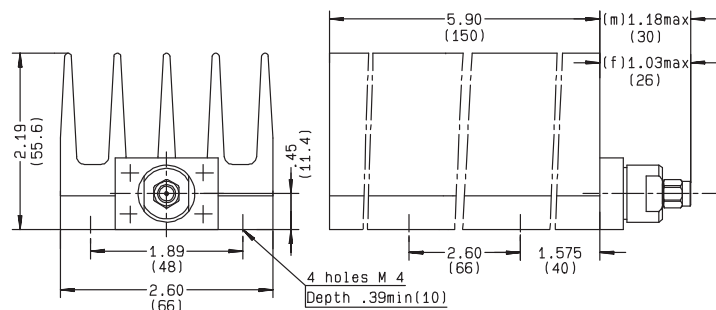
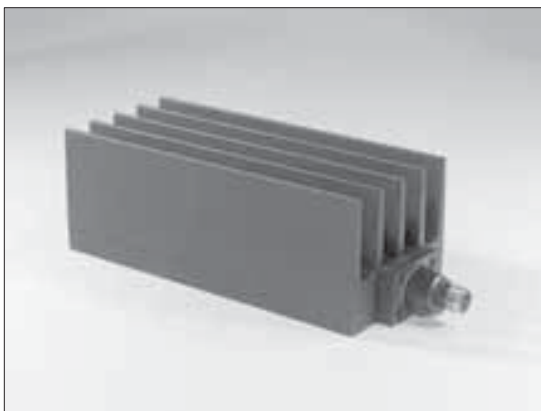
Part Number	Power peak (W)	Frequency range (GHz)	V.S.W.R. (MAX)			Impedance (Ω)	Type	Weight (g)
			DC-1	1-2	2-4			
R404 854 000	5000	DC-4	1.10	1.20	1.30	50 \pm 5%	M	1000
R404 855 000	5000	DC-4	1.10	1.20	1.30	50 \pm 5%	F	1000



120 WATTS HIGH POWER

Part Number	Power peak (W)	Frequency range (GHz)	V.S.W.R. (MAX)			Impedance (Ω)	Type	Weight (g)
			DC-1	1-2	2-4			
R404 884 000	5000	DC-4	1.10	1.20	1.30	50 \pm 5%	M	800
R404 885 000	5000	DC-4	1.10	1.20	1.30	50 \pm 5%	F	800

NOTA : This termination can be used with conduction cooling (120 Watts) or convection cooling (80 Watts).
For conduction cooling a 156 sq. in. plate x $\frac{1}{8}$ " (1000 cm² x 3 mm) min. is required.



Technical data sheet are available under the www.radiall.com Web site Select "Find a part number", enter the part number then "Search"

Coaxial Terminations

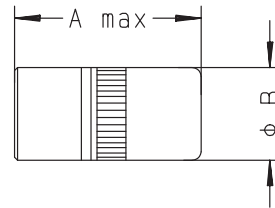
MINIATURE COAXIAL TERMINATIONS SMB

0.5 - 1 WATT

Part Number	Power		Frequency range (GHz)	V.S.W.R. (MAX)			Impedance (Ω)	Type	Obs.
	avg. (W)	peak (W)		DC2.5	2.5-4	4-8			
R404 104 000	1	100	DC-4	1.10	1.20		50 \pm 5%	M	
R404 104 120	1	100	DC-4	1.10	1.20		50 \pm 5%	M	2
R404 105 000	1	100	DC-4	1.10	1.20		50 \pm 5%	F	
R404 105 120	1	100	DC-4	1.10	1.20		50 \pm 5%	F	2
R404 155 000	0.5	100	DC-8	1.10	1.20	1.25	50 \pm 5%	F	1
R404 165 000	0.5	100	DC-8	1.10	1.20	1.25	50 \pm 5%	F	

OBS :1) With .275" (70mm) cord

OBS :2) With .275" (70mm) bead chain



Part Number	A inch (mm)	B inch (mm)	Weight (g)
R404 104 000	.45" (11.4)	.27" (7)	2
R404 104 120	.57" (14.4)		7
R404 105 000	.45" (11.3)	.28" (7.2)	2
R404 105 120	.57" (14.3)		7
R404 155 000	.59" (15)	.25" (6.4)	8
R404 165 000	.53" (13.5)		3

Technical data sheet are available under the www.radiall.com Web site Select "Find a part number", enter the part number then "Search"

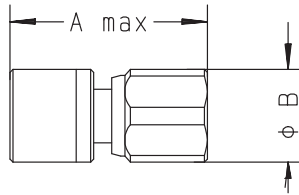
Coaxial Terminations

MINIATURE COAXIAL TERMINATIONS SMC

0.5 WATT

Part Number	Power peak (W)	Frequency range (GHz)	V.S.W.R. (MAX)			Impedance (Ω)	Type	Obs.
			DC2.5	2.5-4	4-8			
R404 150 000	100	DC-8	1.10	1.20	1.25	$50 \pm 5\%$	F	1
R404 160 000	100	DC-8	1.10	1.20	1.25	$50 \pm 5\%$	F	

OBS :1) With .275" (70mm) cord



Part Number	A inch (mm)	B inch (mm)	Weight (g)
R404 150 000	.63" (16)	.25" (6.4)	8
R404 160 000	.57" (14.5)		3

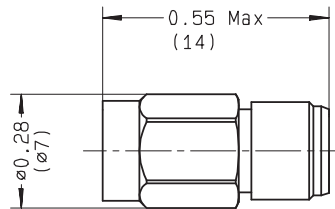
Technical data sheet are available under the www.radiall.com Web site Select "Find a part number", enter the part number then "Search"

Coaxial Terminations

MINIATURE COAXIAL TERMINATIONS SSMA, BMA

0.5 WATT SSMA

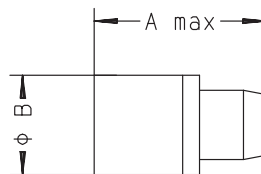
Part Number	Power peak (W)	Frequency range (GHz)	V.S.W.R. (MAX)			Impedance (Ω)	Weight (g)	Type
			DC-4	4-12.4	12.4-18			
R404 380 000	100	DC-18	1.10	1.15	1.35	50 \pm 5%	4	M



1 WATT BMA*

Part Number	Power peak (W)	Frequency range (GHz)	V.S.W.R. (MAX)			Impedance (Ω)	Type
			DC-4	4-12.4	12.4-18		
R404 270 000	100	DC-18	1.10	1.10	1.20	50 \pm 5%	M
R404 275 000	100	DC-18	1.10	1.15	1.30	50 \pm 5%	F

* Compatible OSP®



Part Number	A inch (mm)	B inch (mm)	Weight (g)
R404 270 000	.53" (13.5)	.30" (7.7)	3
R404 275 000	.57" (14.5)		3.5

OSP® Trade mark of OSM



Australian Representatives
ROJONE, PTY LTD.
 Tel: 02 9829 1555
 E: sales@rojone.com.au
 www.rojone.com.au

Technical data sheet are available under the www.radiall.com Web site Select "Find a part number", enter the part number then "Search"