

**SPECIFICATION for ROJ-074NMT-4-4-716**

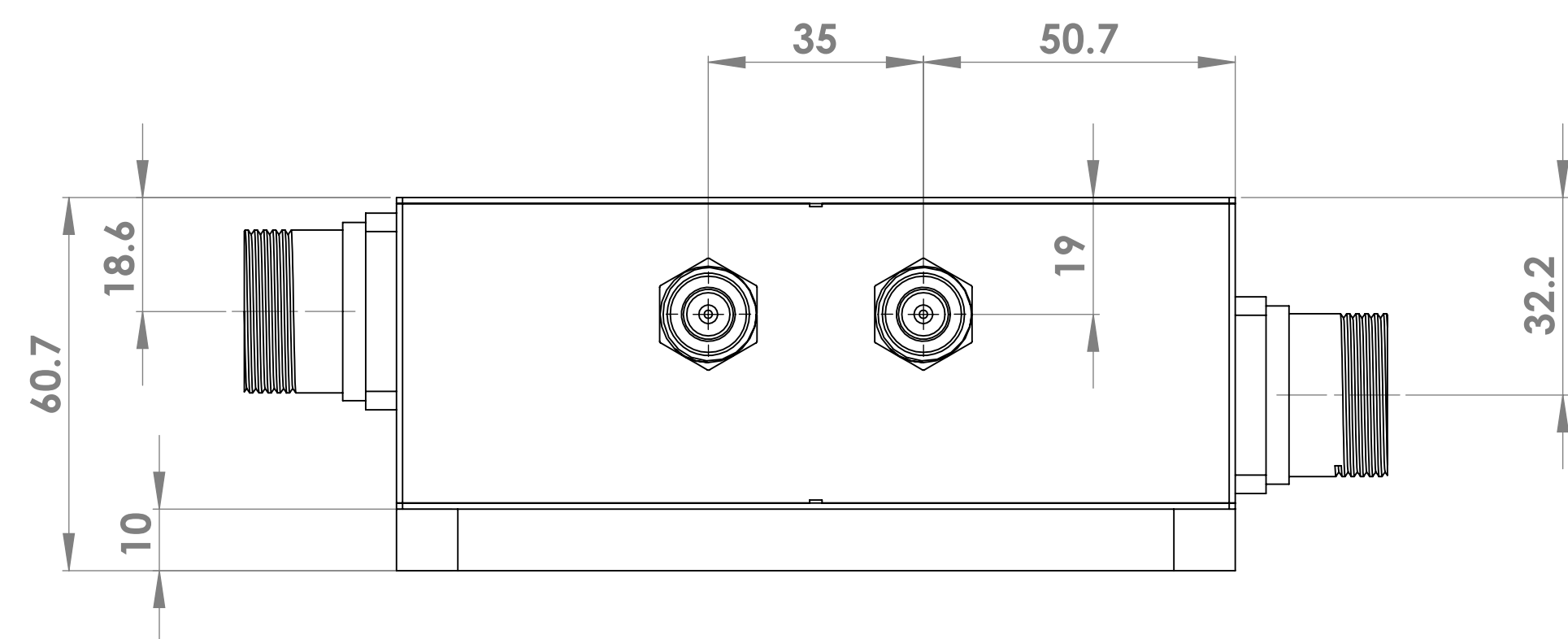
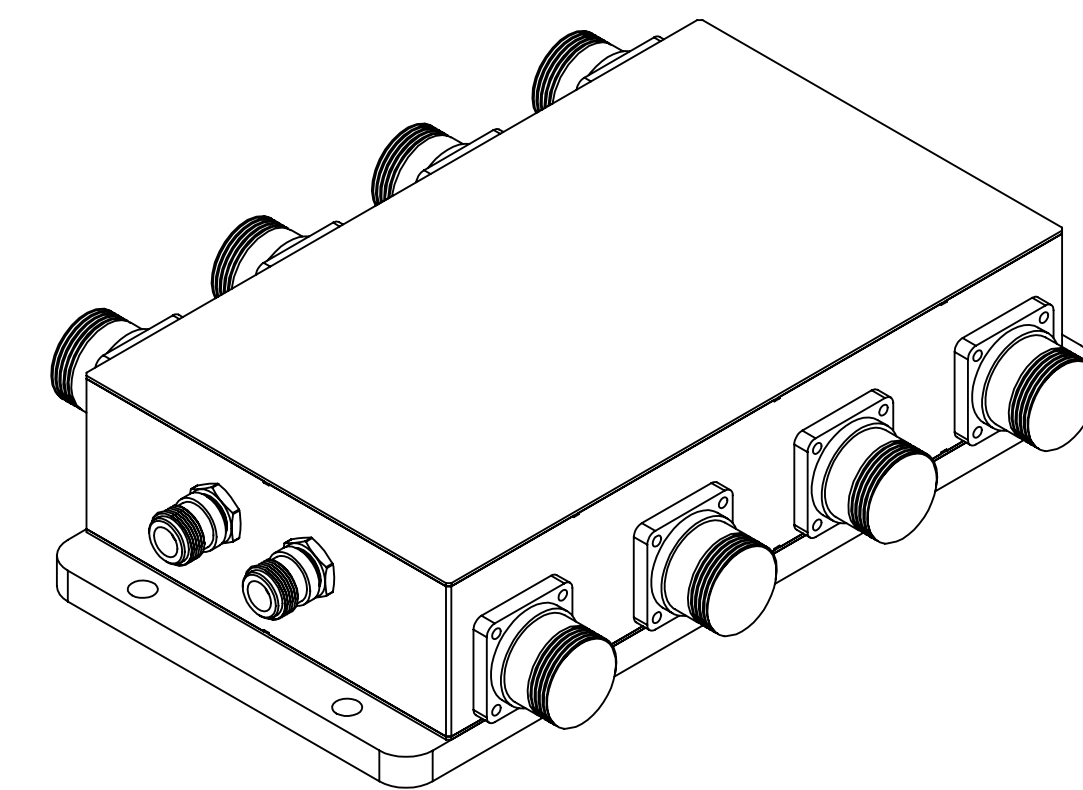
**FREQ:** 700-2700MHz  
**ISO:** 20dB MIN. ADJACENT PORTS  
 30dB MIN NON-ADJACENT  
**RTN LOSS:** <-18dB TYP.  
**THRU LOSS:** 6.5dB ±0.7dB MAX. TO 2.7GHz  
**POWER:** 100W PER PORT  
**IMPEDANCE:** 50 Ohms  
**IM3:** ≤ 150dBc@43dBm x 2  
 with Low IM Termination  
**CONNECTOR:** DIN 716 FEMALE  
**WEIGHT:** ALUMINUM 3.5KG Approx.

**Coupling Ports Spec**

**Coupling:** -35 ± 1.5 dB

**Note:**

Monitored N ports are supplied terminated with low power loads R404131-750.



UNLESS OTHERWISE SPECIFIED: DIMENSIONS ARE IN MILLIMETERS SURFACE FINISH: 1.6 TOLERANCES: LINEAR: ±0.025 ANGULAR: ±1.1			FINISH:	DEBUR AND BREAK SHARP EDGES	DO NOT SCALE DRAWING	REVISION:
				www.rojone.com.au		
DRAWN:	NAME:	SIGNATURE:	DATE:	TITLE:		
CHK'D:	Y. Gu		2011-02-25	INTERFACE DRAWING FOR ROJ-074-4-4-716		
APP'VD:				DWG NO:		
MFG:				001002250174issa		
Q.A:				SCALE: 1:1		
				SHEET 1 OF 1		