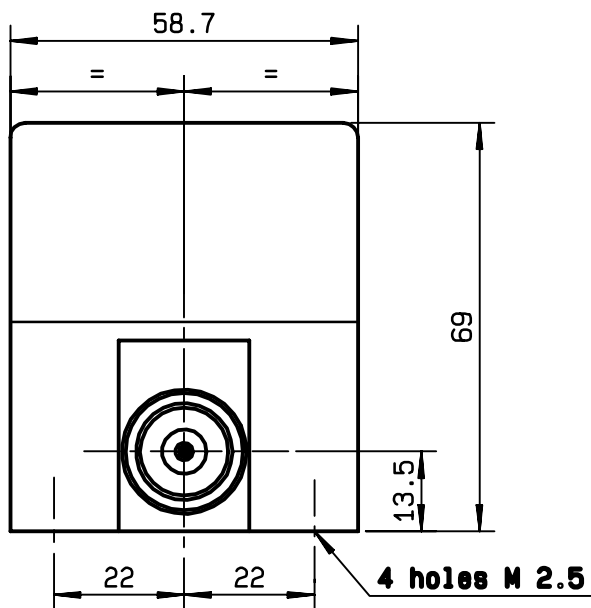
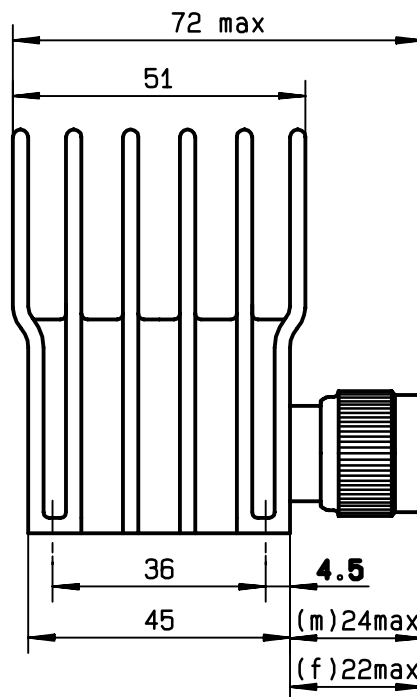


**TITLE:** 50 W 4GHZ N/m COAXIAL TERMINATION

**LTR. B**



General tolerances: +/- 0.5 mm



## ELECTRICAL CHARACTERISTICS

FREQUENCY RANGE	: DC - 4GHz
IMPEDANCE	: 50 Ohms
DC RESISTANCE	: 50 Ohms ± 5 %
AVERAGE POWER HANDLING	: 50 W at 25°C
PEAK POWER HANDLING	: 5 kW ( 1 μs, 1%.) at 25°C
V.S.W.R :	DC - 2 GHz : <= 1.10
	2 - 4 GHz : <= 1.20

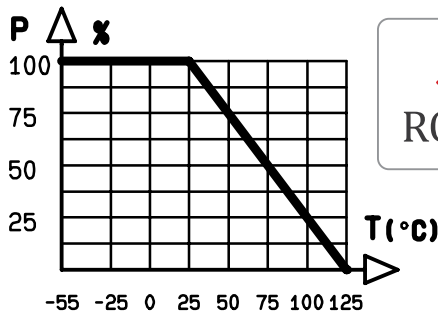
## MECHANICAL CHARACTERISTICS

CONNECTOR	: N male per MIL C 39012
MAXIMUM WEIGHT	: 320 grams

## ENVIRONMENTAL CHARACTERISTICS

OPERATING TEMPERATURE RANGE (°C)	: -55 , +125
STORAGE TEMPERATURE RANGE (°C)	: -55 , +125

Power derating  
Versus temperature



Australian Representatives  
**ROJONE, PTY LTD.**  
Tel: 02 9829 1555  
E: sales@rojone.com.au  
www.rojone.com.au

Tentative data subject to change without notice

PEN <b>95182/3</b>	QUALITY Dpt App.					
	PAGE 1 / 1	DATE 25.01.91	NAME KL	LTR	REVISIONS	DATE 22.10.92