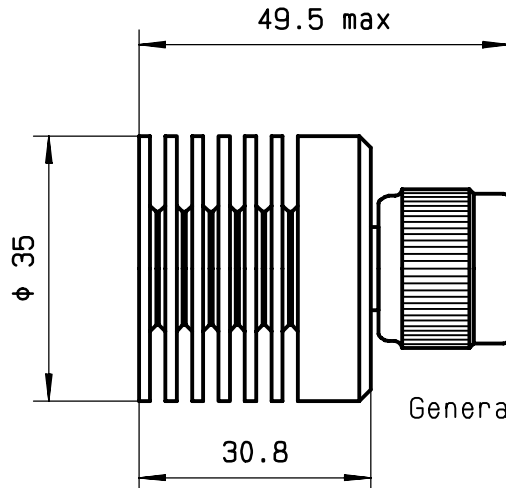


TITLE: 12 W 12.4GHZ N/m COAXIAL TERMINATION

LTR. B

DRAWING



General tolerances: +/- 0.5 mm

ELECTRICAL CHARACTERISTICS

FREQUENCY RANGE	:	DC - 12.4GHz
IMPEDANCE	:	50 Ohms
DC RESISTANCE	:	50 Ohms ± 5 %
AVERAGE POWER HANDLING	:	12 W at 75°C
PEAK POWER HANDLING	:	4 kW ( 1 μs, 1%. ) at 25°C
V.S.W.R :	DC - 4 GHz	: ≤ 1.10
	4 - 8 GHz	: ≤ 1.20
	8 - 12.4 GHz	: ≤ 1.30

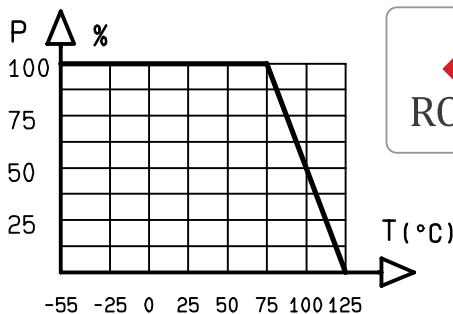
MECHANICAL CHARACTERISTICS

CONNECTOR	:	N male per MIL C 39012
MAXIMUM WEIGHT	:	88 grams

ENVIRONMENTAL CHARACTERISTICS

OPERATING TEMPERATURE RANGE (°C)	:	-55 , +125
STORAGE TEMPERATURE RANGE (°C)	:	-55 , +125

Power derating  
Versus temperature





**Australian Representatives**  
**ROJONE, PTY LTD.**  
Tel: 02 9829 1555  
E: sales@rojone.com.au  
www.rojone.com.au

Tentative data subject to change without notice

<b>PEN CAT</b>	<b>QUALITY Opt App.</b>						
	PAGE <b>1/1</b>	DATE 25.11.83	NAME DP	LTR	<b>REVISIONS</b>		DATE