

This information is given as an indication. In the continual goal to improve our products, we reserve the right to make any modifications judged necessary



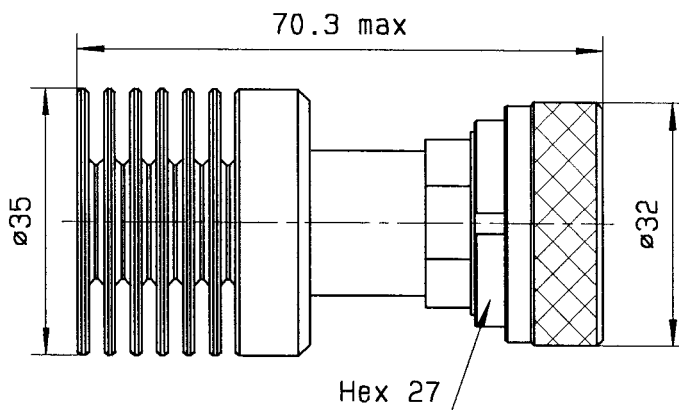
DC- 4 GHz 7/16/male

COAXIAL TERMINATION

issue
02.jun.99

Page
1 / 1

DRAWING



General tolerances: +/- 0.5 mm

R F CHARACTERISTICS

FREQUENCY RANGE	: DC - 4 GHz
IMPEDANCE	: 50 Ohms
DC RESISTANCE	: 50 Ohms ± 5 %
V.S.W.R :	DC - 2 GHz : ≤ 1.10
	2 - 4 GHz : ≤ 1.20
PEAK POWER at 25°C (1µs,1%.)	: 4 kW
AVERAGE POWER at 25°C	: 12 W

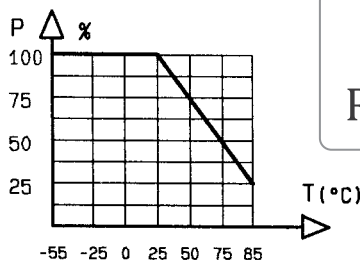
MECHANICAL CHARACTERISTICS

CONNECTORS	: 7/16male	per IEC 169-4
WEIGHT	: < 170 g	

ENVIRONMENTAL CHARACTERISTICS

OPERATING TEMPERATURE RANGE (°C)	: -40 , +85
STORAGE TEMPERATURE RANGE (°C)	: -40 , +85

Power derating
Versus temperature



Australian Representatives
ROJONE, PTY LTD.
 Tel: 02 9829 1555
 E: sales@rojone.com.au
 www.rojone.com.au

CREATION					
N° :					
PEN/EP:H92016					
Name:MG					
Date:04.apr.96	02.jun.99	New body		MG	AFA
APP.:AF	ISSUE		REVISIONS	NAME	APPR.

RADIALL®

101. rue P. Hoffmann -Z.I Ouest-
 93116 ROSNY/BOIS Cedex-FRANCE
 Phone :33(1)49353535
 Fax :33(1)48546363
 Twx RADIA 235220F

4112-9212