



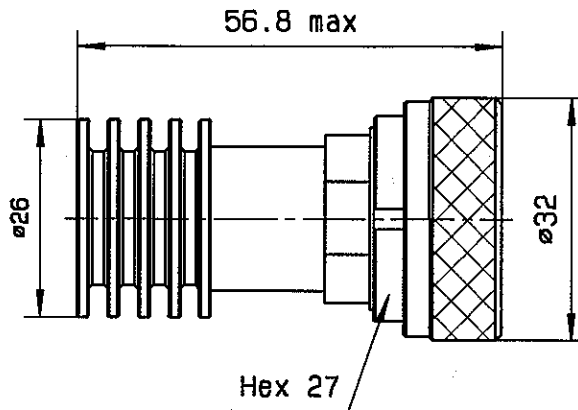
DC- 4 GHz 7/16/male

COAXIAL TERMINATION

Issue
09.sep.99

Page
1 / 1

DRAWING



General tolerances: +/- 0.5 mm

R F CHARACTERISTICS

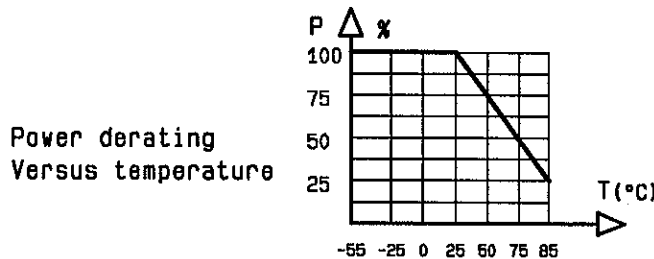
FREQUENCY RANGE	:	DC - 4 GHz
IMPEDANCE	:	50 Ohms
DC RESISTANCE	:	50 Ohms ± 5 %
V.S.W.R :	DC - 2 GHz	: ≤ 1.10
	2 - 4 GHz	: ≤ 1.20
PEAK POWER at 25°C (1µs,1%.)	:	4 kW
AVERAGE POWER at 25°C	:	6 W

MECHANICAL CHARACTERISTICS

CONNECTORS	:	7/16male	per IEC 169-4
WEIGHT	:	< 130 g	

ENVIRONMENTAL CHARACTERISTICS

OPERATING TEMPERATURE RANGE (°C)	:	-40 , +85
STORAGE TEMPERATURE RANGE (°C)	:	-40 , +85



This information is given as an indication. In the continual goal to improve our products, we reserve the right to make any modifications judged necessary

4112-9212

CREATION					
N° :					
PEN/EP:H92016					
Name:MG					
Date:09.sep.99					
APP.:AFC					
ISSUE		REVISIONS		NAME	APPR.

RADIALL®
 101. rue P. Hoffmann -Z.I Ouest-
 93116 ROSNY/BOIS Cedex-FRANCE
 Phone :33(1)49353535
 Fax :33(1)48546363
 Twx RADIA 235220F

Australian Representatives - **ROJONE, PTY LTD.**
 Tel: 02 9829 1555 E: sales@rojone.com.au www.rojone.com.au