

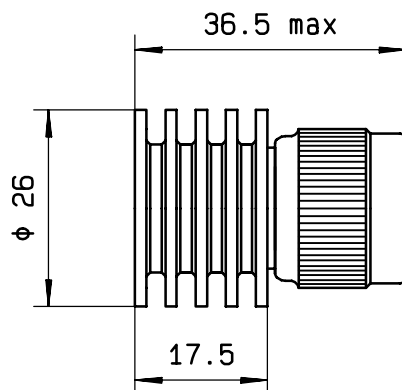


6 W DC- 2 GHz N/male COAXIAL TERMINATION

issue
27.Oct.92

Page
1 / 1

DRAWING



General tolerances: +/- 0.5 mm

R F CHARACTERISTICS

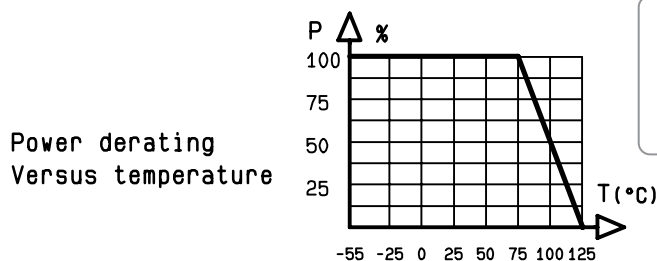
FREQUENCY RANGE : DC - 2 GHz
 IMPEDANCE : 50 Ohms
 DC RESISTANCE : 50 Ohms ± 5 %
 V.S.W.R : DC - 2 GHz : ≤ 1.10
 PEAK POWER at 25°C (1µs,1%.) : 4kW
 AVERAGE POWER at 75°C : 6 W

MECHANICAL CHARACTERISTICS

CONNECTORS : N male per MIL-C 39012
 WEIGHT : < 44 g

ENVIRONMENTAL CHARACTERISTICS

OPERATING TEMPERATURE RANGE (°C) : -55 , +125
 STORAGE TEMPERATURE RANGE (°C) : -55 , +125




Australian Representatives
ROJONE, PTY LTD.
 Tel: 02 9829 1555
 E: sales@rojone.com.au
 www.rojone.com.au

This information is given as an indication. In the continual goal to improve our products, we reserve the right to make any modifications judged necessary

CREATION				
N° :				
PEN/EP:CAT				
Name:DP	27.10.92	New format	PG	VE
Date:25.Nov.83	20.03.89	New format	KL	VE
APP.:VE	ISSUE	REVISIONS	NAME	APPR.

RADIALL®
 101. rue P. Hoffmann -Z.I Ouest-
 93116 ROSNY/BOIS Cedex-FRANCE
 Phone:33(1)49353535
 Fax :33(1)48546363
 Twx RADIA 235220F