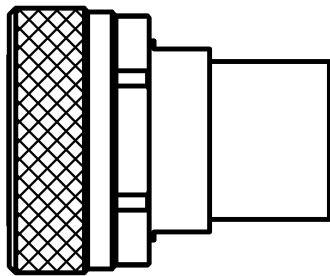
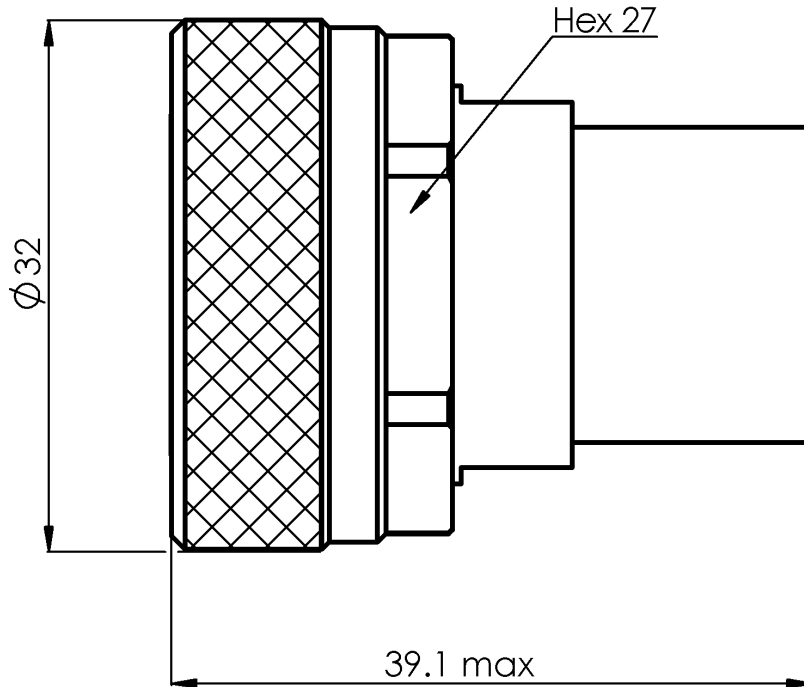


MALE 7/16 COAXIAL TERMINAISON

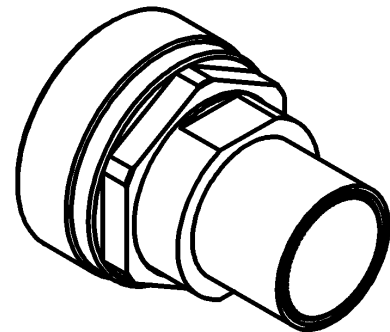
DC - 4 GHZ , 2W

R404.170.111

Series :
TERMINATION



Scale 1/1



dimensions are in mm.



COMPONENTS	MATERIALS	PLATING (µm)
BODY	BRASS	BBR 0.5 OVER SILVER 3
CENTER CONTACT	BRASS	BBR 0.5 OVER SILVER 3
OUTER CONTACT	BRASS	SILVER 5
INSULATOR	PTFE	
GASKET	SILICONE RUBBER	
OTHERS PARTS	-	-

Issue : 0607 C

In the effort to improve our products, we reserve the right to make changes judged to be necessary.



Australian Representatives - **ROJONE, PTY LTD.**

Tel: 02 9829 1555 E: sales@rojone.com.au www.rojone.com.au

MALE 7/16 COAXIAL TERMINAISON

DC - 4 GHZ , 2W

R404.170.111

Series :
TERMINATION

ELECTRICAL CHARACTERISTICS

Frequency	DC - 2 GHz	2 - 4 GHz	GHz	GHz	GHz
V.S.W.R	≤ 1.10	≤ 1.30	≤	≤	≤

Impedance 50 Ω
 Average power at 25°C 2 W
 Peak power at 25°C 500 W (1μs, 1%)

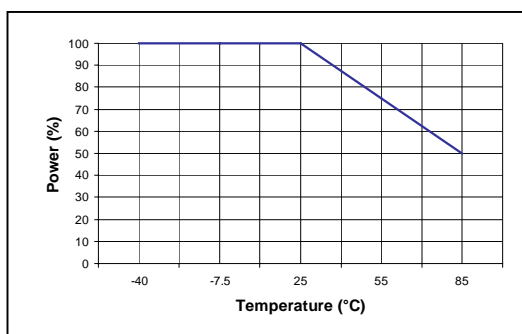
MECHANICAL CHARACTERISTICS

Connectors 7-16 Male for IEC 169-4
 Weight 114,9096 g

ENVIRONMENTAL

Operating temperature range -40 / +85 °C
 Storage temperature range -40 / +85 °C

Power derating
 Versus temperature



SPECIFICATION

OTHER CHARACTERISTICS

Issue : 0607 C

In the effort to improve our products, we reserve the right to make changes judged to be necessary.

