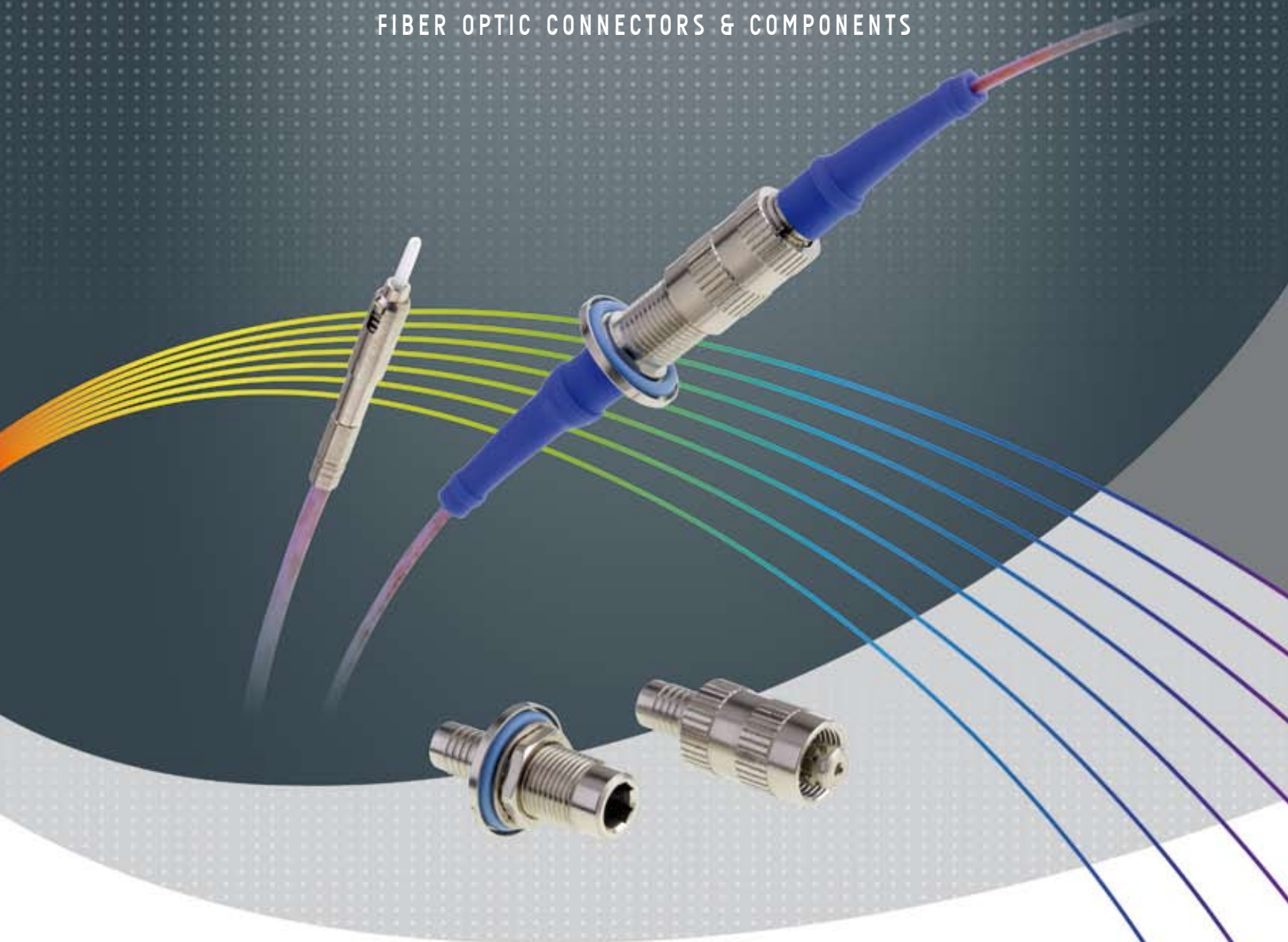


FIBER OPTIC CONNECTORS & COMPONENTS



LxC-R[®] - Single Channel Connector

Arinc 801 LuxCis[®] fiber optic termini compatible



Australian Representatives

ROJONE, PTY LTD.

Tel: 02 9829 1555

E: sales@rojone.com.au

www.rojone.com.au

RADIALL 
The next conneXion

Radiall introduces the LxC-R[®],

a multi purpose single channel fiber Optic connector for harsh environments.

Miniature and robust, this new single channel connector is ideally suited for applications requiring single channel transmission in extreme environmental conditions, such as aerospace and military equipment or anywhere a robust fiber optic link is required.

The LxC-R[®] is qualified to withstand a high level of vibration and shock. Specifically designed to be compatible with the industry standard LuxCis[®] Arinc 801 fiber optic contact, the LxC-R[®] is exceptionally reliable in terms of mechanical, environmental and optical performances. The flexibility of the LuxCis[®] termini allows the use of either multimode or singlemode fiber for both PC and APC terminations.

The range includes plugs, square flange and jam nut receptacles, as well as hermetic feedthroughs.

MAIN FEATURES AND BENEFITS:

- **Easy to install:** simple jam nut coupling, no specific tool required
- **Excellent optical performance**
- **Compatible with Arinc 801 LuxCis[®] APC termini**
- **Hermetic feedthrough adaptor:** for complete sealing protection, even when unmated
- **Interfacial gasket:** shell to shell sealing
- **Sealing boot:** environmental grommet, also guiding the fiber at the rear of the connector
- **D-Hole receptacle with o'ring:** for panel sealing
- **Salt spray specifications:** 96H and 500H
- **Two polarization keys:** 90° or 120°

Plug



Receptacle



APPLICATIONS:



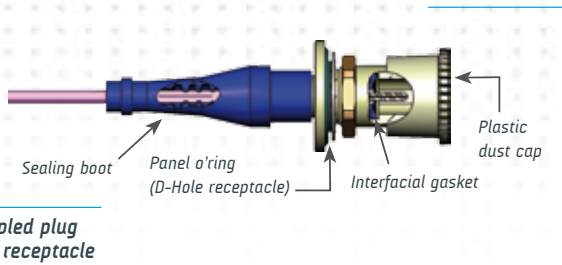
MECHANICAL AND ENVIRONMENTAL CHARACTERISTICS

Salt spray	96H or 500H depending on the service class
Durability	500 mating cycles
Sealing	IP 67
Altitude immersion	75,000 feet (3.39 kPa) TIA/EIA-455-15A
Vibration (random)	50G-TIA/EIA-455-11C
Shock	300G-TIA/EIA-455-14A
Temperature range	- 65°C / + 155°C (cable dependent)
Hermetic sealing	10 ⁻⁶ atm x cm ³ /s (see note)

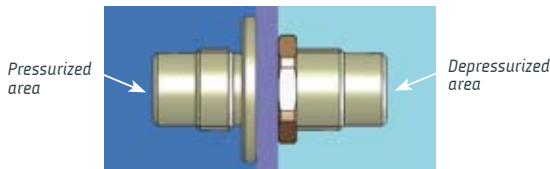
Note: Consult with Radiall for any other specific requirement.

LUXCIS® OPTICAL PERFORMANCE

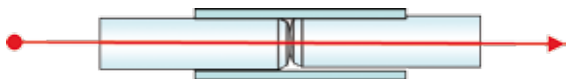
	Singlemode (UPC) 1310/1550nm	Singlemode (APC) 1310/1550nm	Multimode (PC) 850nm/1310nm
Attenuation > Mean > Standard deviation (against a reference plug, IEC 61300-3-4 Method B)	0,15 dB 0,10 dB	0,20 dB 0,12 dB	0,10 dB 0,07 dB
Return loss (maximum low variation: IEC 61300-3-6))	> 50 dB	> 60 dB	> 20 dB



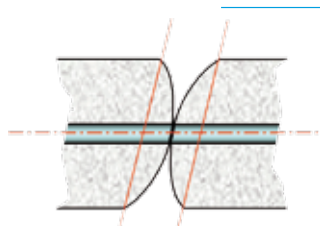
Coupled plug and receptacle



Hermetic Sealing



Physical contact alignment = low attenuation



APC technology = low reflectivity > 60 dB

- RF over Fiber (Remote Antennas, Phase Array Radar, Military Radio Networking, and all radio signal conversion over a fiber in severe environments)
- Sensors (temperature, shock, pressure, vibration...) for aeronautic, military, medical applications and others.

The LuxCis® concept is based on the use of identical fiber optic termini that can be inserted in either plug or receptacle. A ceramic sleeve ensures fine alignment. The LuxCis® is recommended for all applications where:

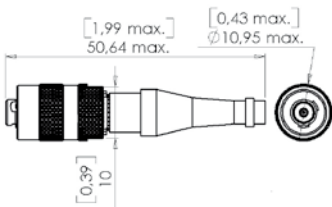
- High data rates are required
- EMI is an issue
- Weight reduction is important
- Fiber optic connections are used in harsh environments

LuxCis® standardization: ARINC 801 / EN 4639 / EN 4640 / EN 4645

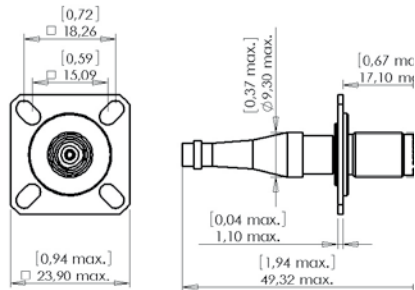
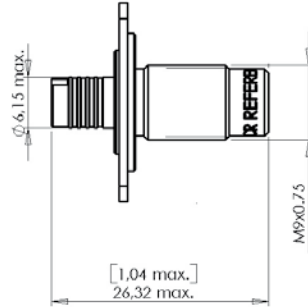
DIMENSIONS (inch/mm)

Technical Data Sheet available upon request

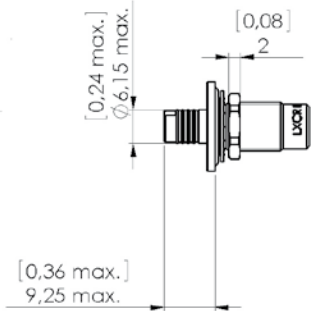
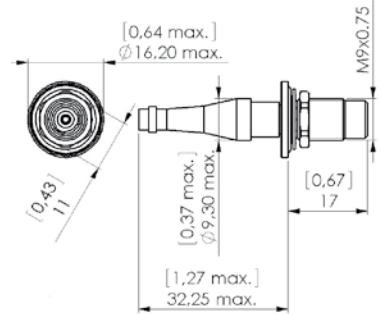
Plug



Square flange receptacle (38999 size 9 panel cutout)



Jam nut receptacle



■ *In Flight Entertainment* (seat box connections, on-board fiber optic equipment, etc...)

■ *Pressurized environments*

ORDERING INFORMATION

PLUGS and RECEPTACLES

LXCR P1 C1 B L 1 N

I – Shell type

- P1** Plug with knurled nut
- R2** Wall mount receptacle / square flange (38999 T9 panel cutout)
- N1** Jam nut receptacle / rear mounting / D-hole
- N2** Jam nut receptacle / front mounting / D-hole
- A1** Hermetic feedthrough adaptor, LxC-R® to LxC-R®
- A2** Hermetic feedthrough adaptor, LxC-R® to LuxCis®

VI – Polarization

- N** 90° indexed
- A** 120° indexed

V – Temperature range

- 1** 155° (cable dependent)

II – Cable diameter

- C1** 2.2mm max (LuxCis® termini dependent)

IV – Service class material

- A** Salt spray 500H
- L** Salt spray 96H

III – Sealing specification

- B** Plug with sealing boot (for P1 shell type)
- C** Receptacle with sealing boot (for R2 / N1 / N2 shell type)
- D** Receptacle without sealing boot (for R2 / N1 / N2 shell type)
- H** Hermetic feedthrough adaptor (for A1 / A2 shell type)

Note: Consult with Radiall for other shell types, cable diameters, service class and reinforced sealing specifications.

PROTECTIVE CAPS

LXCR M R CH A

I – Material

- M** Metal

III- Cord type

- CH** Metal cord

II – Cap type

- P** Plug
- R** Square flange receptacle
- N** Jam nut receptacle

IV – Service class material

- A** Salt spray 500H
- L** Salt spray 96H



AEROSPACE



AUTOMOTIVE



DEFENSE



INDUSTRIAL



INSTRUMENTATION



MEDICAL



SPACE



TELECOM

EUROPE

France - RADIALL Headquarters

101, Rue Ph. Hoffmann
93116 ROSNY sous BOIS (Paris)
Tel.: +33 1 49 35 35 35 - Fax: +33 1 48 54 63 63
E-Mail: info@radiall.com

Finland - RADIALL SF

P.O. Box 202 - 90101 OULU
Tel.: +358 407 522 412
E-Mail: infofi@radiall.com

Germany - RADIALL GmbH

Carl-Zeiss Str. 10 Postfach 200143
D63307 - RÖDERMARK (Frankfurt)
Tel.: +49 60 74 91 07 0 - Fax: +49 60 74 91 07 70
E-Mail: infode@radiall.com

Italy - RADIALL Elettronica S.R.L.

Via Concordia, 5 - 20090 ASSAGO MILANO
Tel.: +39 02 48 85 121 - Fax: +39 02 48 84 30 18
E-Mail: infoit@radiall.com
Regional office: Roma

Netherlands - RADIALL B.V.

Hogebrinkerweg 15b - 3871 KM HOEVELAKEN
Tel.: +31 33 253 40 09 - Fax: +31 33 253 45 12
E-Mail: infonl@radiall.com

Sweden - RADIALL A.B.

Sjöängsvägen 2 - SE-192 72 SOLLENTUNA (Stockholm)
Tel.: +46 844 434 10 - Fax: +46 875 449 16
E-Mail: infose@radiall.com

U.K. - RADIALL Ltd

Ground Floor, 6 The Grand Union Office Park,
Packet Boat Lane
UXBRIDGE Middlesex UB8 2GH (London)
Tel.: +44 1895 425 000 - Fax: +44 1895 425 010
E-Mail: infouk@radiall.com

NORTH AMERICA

USA - RADIALL USA, Inc.

6825 West Galveston Street Suite 11
CHANDLER, Arizona 85226
Tel.: +1 480 682 9400 - Fax: +1 480 682 9403
E-Mail: infousa@radiall.com

USA - RADIALL AEP, Inc.

104 John W. Murphy Drive
NEW HAVEN, Connecticut 06513
Tel.: +1 203 776 2813 - Fax: +1 203 776 8294
E-Mail: aepepsales@radiall.com

ALSO REPRESENTED IN

Australia	Hungary	Poland
Austria	Indonesia	Russia
Belgium	Israel	Singapore
Brazil	Korea	Spain
Czech Republic	Latvia	Switzerland
Denmark	Lithuania	Taiwan
Estonia	Malaysia	Thailand
Greece	Norway	Vietnam
	Philippines	South Africa

For the above countries, please contact the local agent or RADIALL at info@radiall.com

ASIA

China - SHANGHAI RADIALL Electronic Co., Ltd

N° 390 Yong He Road 200072 - SHANGHAI
Tel.: +86 21 66 52 37 88 - Fax: +86 21 66 52 11 77
E-Mail: infozh@radiall.com

Japan - NIHON RADIALL

Shibuya-ku Ebisu 1-5-2, Kougetsu Bldg 405
TOKYO 150-0013
Tel.: +81 3 3440 6241 - Fax: +81 3 3440 6242
E-Mail: infojp@radiall.com

HongKong - RADIALL Electronics Ltd

Elite Industrial Centre, Room 212, 2/F
N° 883 Cheung Sha Wan Road
KOWLOON HONG KONG
Tel.: +852 29 59 38 33 - Fax: +852 29 59 26 36
E-Mail: infohk@radiall.com

India - RADIALL PROTECTRON pvt Ltd

25 D, II Phase, Peenya Industrial Area
BANGALORE 560058
Tel.: +91 80 83 95 271 - Fax: +91 80 83 97 228
E-Mail: infoin@radiall.com



Australian Representatives

ROJONE, PTY LTD.

Tel: 02 9829 1555
E: sales@rojone.com.au
www.rojone.com.au