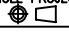
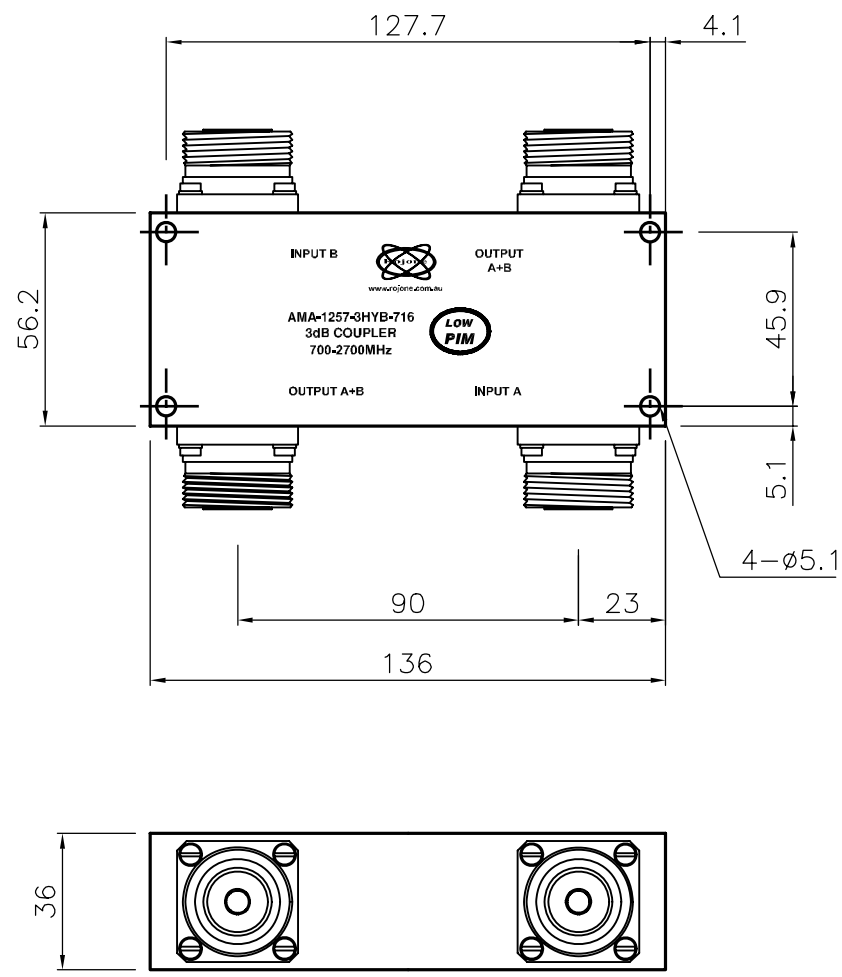


REVISIONS		
ISS	ZONE	DESCRIPTION/PER REQUEST
B		updated drawing no
c		Updated power to 500cw peak

3rd ANGLE PROJECTION  THIS DOCUMENT AND THE DESIGN SHOWN THEREON IS THE PROPERTY OF ROJONE PTY LTD AND MUST NOT BE SOLD, LENT, GIVEN AWAY, COPIED, REPRODUCED OR OTHERWISE DIVULGED TO ANY THIRD PARTY OR USED FOR MANUFACTURE, OR ANY OTHER PURPOSE WITHOUT DIRECT WRITTEN PERMISSION OF ROJONE PTY LTD.

DO NOT SCALE

A  
B  
C  
D  
E  
F  
G  
H  
I



**SPECIFICATIONS for AMA-1257-3HYB-716**

FREQUENCY RANGE: 0.7-2.7GHz  
 COUPLER TYPE: 4 PORT DIRECTIONAL  
 POWER HANDLING: 500W CW (@25°C)  
 COUPLING VALUE: 3dB  
 RETURN LOSS: <-18dB, -20dB (TYP)  
 AMP BALANCE: <0.5dB, 0.3(TYP)  
 IM: <-150dBc@43dBmx2  
 -155dB (TYP)


INSERTION LOSS(THRU LINE): 3 to 3,5dBMAX 3,2 (TYP)

INSERTION LOSS (COUPLED LINE): COUPLING LOSS + DISSIPATIVE LOSS  
 DISSIPATIVE LOSS: <0.3dB (typ)  
 OPERATING TEMPERATURE: -40° TO +65° CELCIUS  
 ENVIRONMENTAL CLASS: IP 65  
 RF CONNECTOR: DIN 716 - F  
 HUMIDITY: <99% NO CONDENSATION  
 WEIGHT: 820 GRAMS ALUMINIUM HOUSING (WITHOUT LOAD)  
 1700 GRAMS BRASS HOUSING (WITHOUT LOAD)  
 (AMA-1257-3HYB-716EN)

**NOTES:**

- 1/ ROJONE PART No. DESIGNATION AMA-1257-3HYB-716 .
- 2/ COUPLERS ARE DESIGNED FOR LOW INTERMODULATION OPERATION.
- 3/ ENVIRONMENTAL - ADD SUFFIX " -EN ", AMA-1257-3HYB-716EN (BRASS BODY).
- 4/ PRODUCTS ARE RoHS COMPLIANT.

REVISION	DATE	CHECKED
A	16-04-2010	H. JIA
B	2010-08-11	H. JIA
c	2011-01-19	H. JIA

 ROJONE PTY LTD ACN 002691241 44 AERO RD INGLEBURN 2585 SYDNEY, AUSTRALIA Ph: (612) 9829 1555 Fax: (612) 9605 8812 Web: www.rojone.com.au E-mail: sales@rojone.com.au	TITLE 0.7-2.7GHz COUPLER 3dB DIN-TYPE HYBID INTERFACE DRAWING	
	DRWG No: 001001450174	
MATERIAL ALUMINIUM &/OR BRASS HOUSING & COVER	DRAWN Y. GU	SCALE 1:1
FINISH POLYURETHANE AS2700 N42 STORM GREY	CHECKED H. JIA	SHEET 1 OF 1
UNLESS OTHERWISE STATED ALL DIMENSIONS ARE IN MILLIMETRES (mm) TOLERANCE: LINEAR ±0.1 ANGULAR ±1° REMOVE ALL BURRS AND SHARP EDGES		FILENAME 001001450174ISSC.DWG