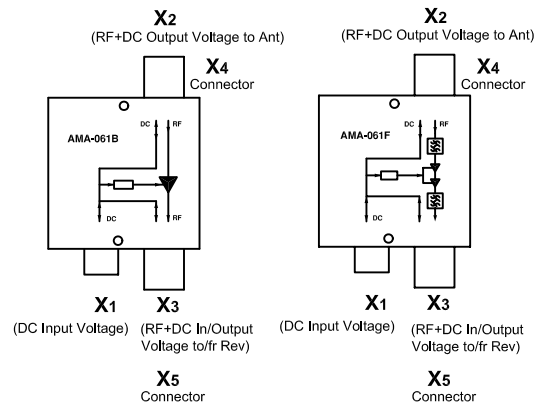


AMA-061 Series GPS Amplifier

AMA - 061 B - 5 - 0 T - 5 T

B	1200-1700MHz GPS L1L2 32dB AMP
F	1575±5MHz GPS L1 30dB FILTERED AMP
None	DC Feeder (See Below)



Connector Type	
N	N-F (Standard)
T	TNC Female (Std)
S	SMA Female

Volt	RF+DC In/Output to/fr Rev
0	DC blocked
3.3	In/Output Voltage
5	Output Voltage
12	Output Voltage
...

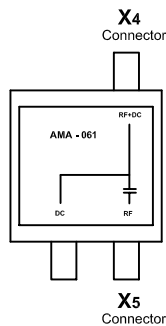
Connector Type	
N	N-F (Standard)
T	TNC Female (Std)
S	SMA Female

Volt	RF+DC Output to Ant
0	DC blocked
3.3	Output Voltage
5	Output Voltage
12	Output Voltage
...

Volt	DC Input
0	DC blocked
3.3	Input Voltage
5	Input Voltage
12	Input Voltage
R	Regulated 3.3-12 Voltage

****Note: Standard product is supplied with 2 TNC female connectors or 2 N-F connectors.**

AMA-061 Series DC Feeder



AMA - 061 - X6 - X4 - X5

P	DC Feeder 50-3000MHz
C	75 Ohm 30-400MHz DC Feeder
2400	DC Feeder 1-2GHz

Connector Type	
N	N-F (Standard)
T	TNC Female (Std)
S	SMA Female

Connector Type	
N	N-F (Standard)
T	TNC Female (Std)
S	SMA Female