
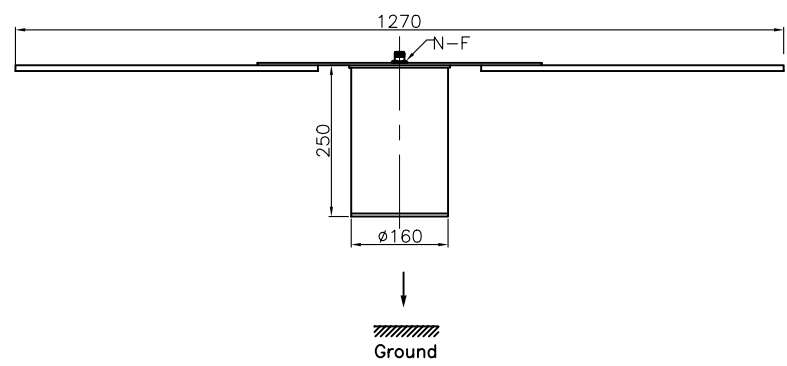
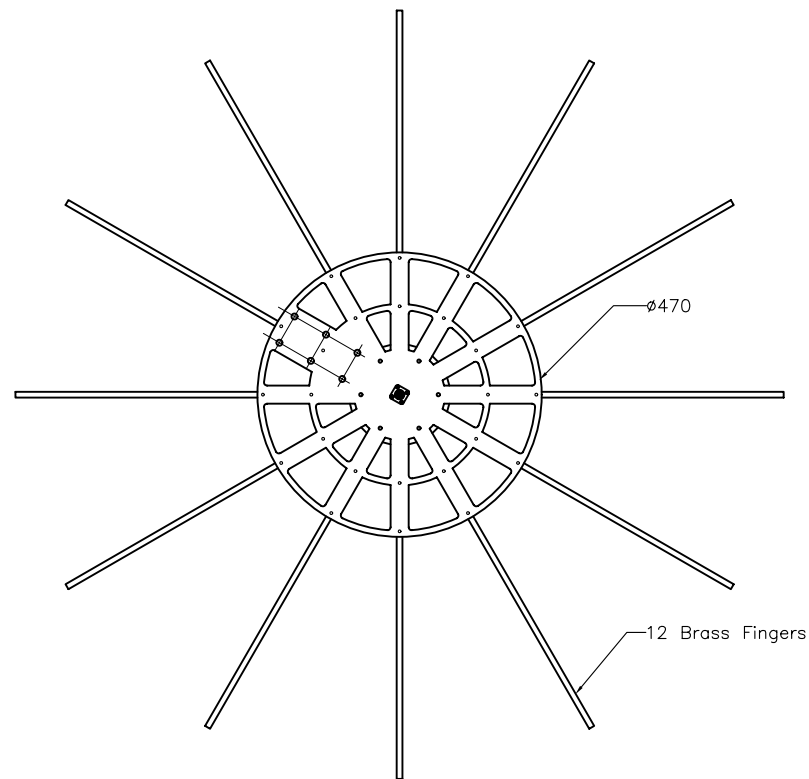


REVISIONS			
ISS	ZONE	DESCRIPTION	PER REQUEST DATE

3rd ANGLE PROJECTION  THIS DOCUMENT AND THE DESIGN SHOWN THEREON IS THE PROPERTY OF ROJONE PTY LTD AND MUST NOT BE SOLD, LENT, GIVEN AWAY, COPIED, REPRODUCED OR OTHERWISE DIVULGED TO ANY THIRD PARTY OR USED FOR MANUFACTURE, OR ANY OTHER PURPOSE WITHOUT DIRECT WRITTEN PERMISSION OF ROJONE PTY LTD.

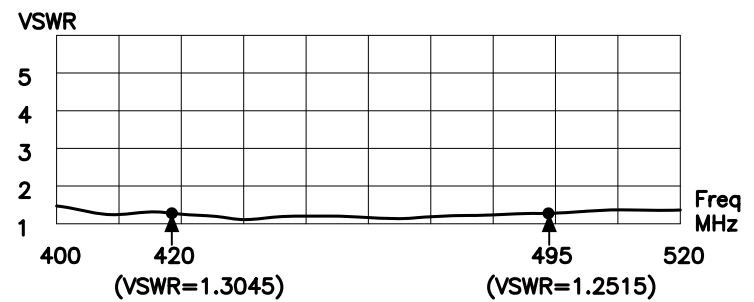
DO NOT SCALE

Note: Fingers (x12) are supplied as an option.




**SPECIFICATION FOR**  
**A-372-130-400520**

FREQ. RANGE: 400 - 520 MHz  
 POWER GAIN: 3~4 dBi  
 RETURN LOSS: < -15 dB  
 HORIZONTAL 3dB BW: 360°  
 VERTICAL 3dB BW: 75°  
 RATED INPUT RF POWER: 200W MAX.  
 PIM3: < -150 dBc TYP  
 IMPEDANCE: 50 Ohm  
 OPERATING TEMP. RANGE: - 40 ~ + 85°C  
 CONNECTOR: N-F  
 HUMIDITY: < 100%  
 SIZE: DIA 470 x 260H+Fingers  
 WEIGHT: 2 Kg Approx.



REVISION	DATE	CHECKED
A	2011-06-08	H. J.
B	2011-10-13	H. J.

UNLESS OTHERWISE STATED ALL DIMENSIONS ARE IN MILLIMETRES (mm) TOLERANCE: LINEAR ±0.1 ANGULAR ±1° REMOVE ALL BURRS AND SHARP EDGES

 ROJONE PTY LTD ACN 002691241 44 AERO RD INGLEBURN 2565 SYDNEY, AUSTRALIA Ph: (612) 9829 1555 Fax: (612) 9605 8812 Web: www.rojone.com.au E-mail: sales@rojone.com.au	TITLE	
	INTERFACE DRAWING FOR UHF OUTDOOR ANTENNA A-372	
MATERIAL	AS PART	DRWN Y. GU
FINISH	AS PART	CHECKED H. J.
DRWG No: 009001001289		SCALE NTS
SHEET 1 OF 1		APPROVED
FILENAME 009001001289ISSB.DWG		A4