

1	2	3	4	5	6	7	8	9	10	11	12	
REVISIONS		3rd ANGLE PROJECTION	THIS DOCUMENT AND THE DESIGN SHOWN THEREON IS THE PROPERTY OF ROJONE PTY LTD AND MUST NOT BE SOLD, LENT, GIVEN AWAY, COPIED, REPRODUCED OR OTHERWISE DIVULGED TO ANY THIRD PARTY OR USED FOR MANUFACTURE, OR ANY OTHER PURPOSE WITHOUT DIRECT WRITTEN PERMISSION OF ROJONE PTY LTD.									DO NOT SCALE
A	ISS	ZONE	DESCRIPTION/PER REQUEST/DATE									REVISION
B			Modify artwork and specs									DATE
												CHECKED
												A
												23-08-02
												H. JIA
												B
												08-01-2003
												H. JIA
												C
												D
												E
												F
												G
												H
												I

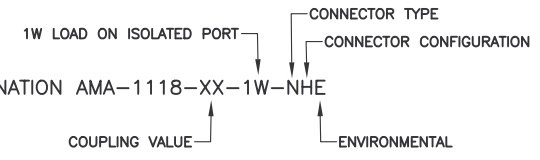
SPECIFICATIONS

Part number: AMA-1118-10-1W
 AMA-1118-10-1WE
 Coupling value: 10dB ±0.5dB (500-2000MHz)
 11dB ±0.9dB (380-500 & 2000-2200MHz)
 Frequency range: 380-2200MHz
 Directivity: >=20dB
 Dissipative loss: 0.25dB Max
 Return loss: <-20dB
 VSWR: <1.2dB
 Isolation: >=20dB
 Input RF power: 200w max.
 Impedance: 50 Ohms
 Op. temp range: -40 to +85°C
 Humidity: <95%
 RF connectors: N-F
 IM: <-130dBc@43dBm x 2
 Package size: 160x52x19 mm
 Weight: 400g max

NOTES:

1/ FOR ASSEMBLY DRAWING SEE 001001100004
 'H' PATTERN SERIES COUPLER ASSEMBLY DRAWING

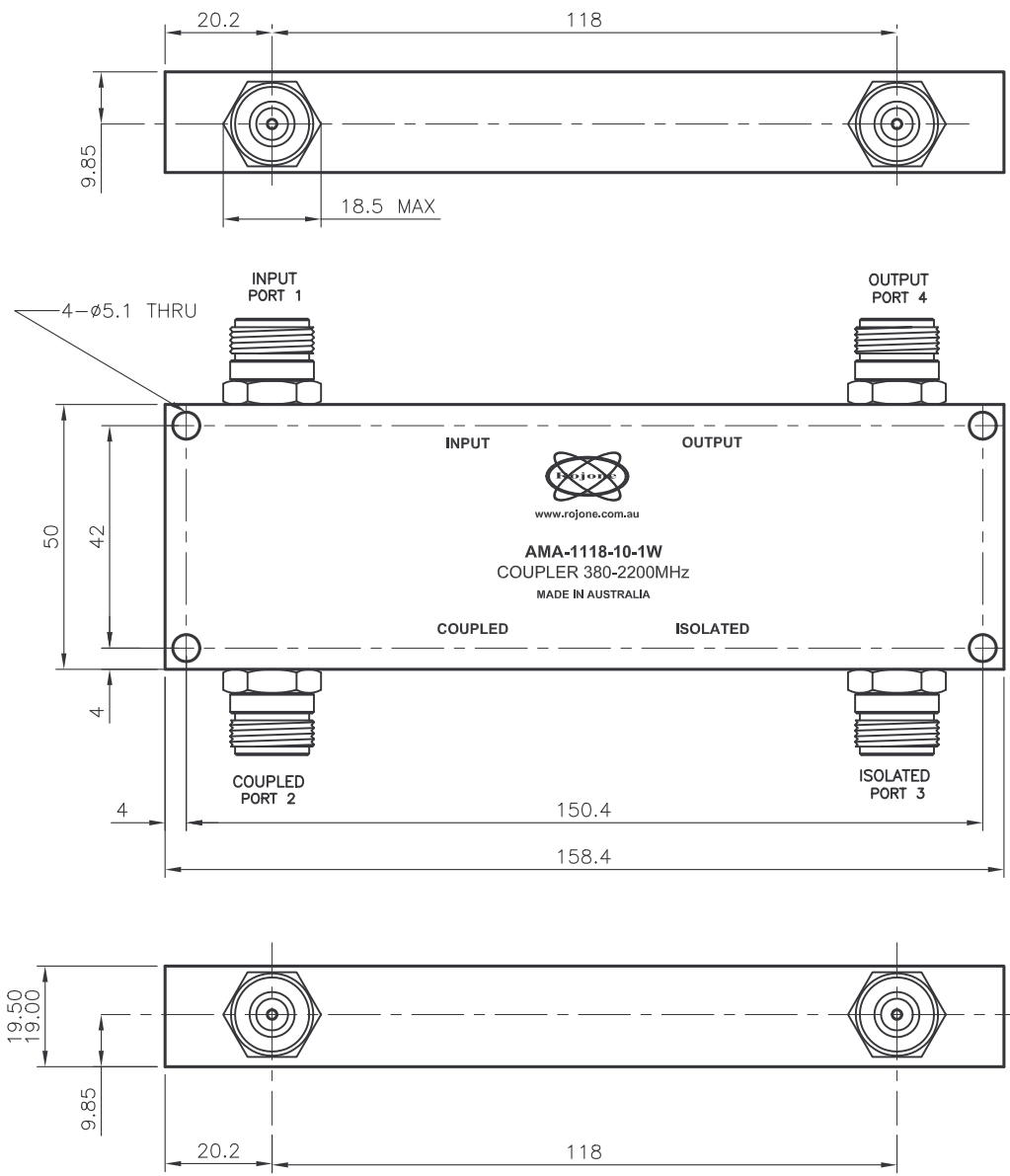
2/ ROJONE PART No. DESIGNATION AMA-1118-XX-1W-NHE



UNUSED PORTS MUST BE TERMINATED. COUPLER SUPPLIED WITH 1W LOAD ON ISOLATED PORT (HIGHER POWER LOADS AVAILABLE) ENVIRONMENTAL VERSIONS AVAILABLE. ALL CONNECTORS MUST BE MATED TO ACHIEVE ENVIRONMENTAL SEAL (PLATED BRASS HOUSING).

3/ COUPLERS ARE DESIGNED FOR LOW INTERMODULATION OPERATION

4/ ALL CONNECTORS ARE FEMALE N-TYPE WITH 12 TO 15 inlbs (1.30Nm - 1.70Nm) MATING TORQUE.



	ROJONE PTY LTD ACN 002691241 81 AERO RD INGLEBURN 2585 SYDNEY, AUSTRALIA Ph: (612) 9829 1555 Fax: (612) 9605 8812 Web: www.rojone.com.au E-mail: sales@rojone.com.au	TITLE 380-2200MHz 4 PORT DIRECTIONAL COUPLER AMA-1118-XX	
	MATERIAL ALUMINIUM &/OR BRASS HOUSING & COVER	DRAWN Y. GU CHECKED H. JIA APPROVED I. JANOSKA	DRWG No: 001001100015 SCALE 1:1 SHEET 1 OF 1 FILENAME 001001100015ISSB.DWG
FINISH POLYURETHANE AS2700 N42 STORM GREY	REMOVE ALL BURRS AND SHARP EDGES		

A3

ALL SPECIFICATIONS SUBJECT TO CHANGE UNLESS OTHERWISE STATED ALL DIMENSIONS ARE IN MILLIMETRES (mm) TOLERANCE: LINEAR ±0.1 ANGULAR ±1° REMOVE ALL BURRS AND SHARP EDGES